

## LESLIE 9020 CONSOLE CONNECTOR KIT

FOR HAMMOND ORGANS: E-100, K-100

Leslie 900

### CONTENTS OF KIT:

1	Console Connector	043075	1	Reverb Control	
1	Console Adapter	042754		brown	043331
1	7 to 5 Adapter	062091		ebony	043349
1	9 Conductor Cable	021600		ivory	043356
1	Instructions	043422			
12	Insulated Staples	028464	1	Tremolo Control	
1	Oiler	053025		brown	043281
2	Screw, 8 X 1/2	029132		ebony	043299
6	Screw, 6 X 1/2	029124		ivory	043307
			1	Echo Control	
				brown	042200
				ebony	042218
				ivory	042226

### TO INSTALL THE KIT:

1. Mount the Echo, Tremolo and Reverb control switches to the wooden rail in front of the lower manual using the wood screws provided.
2. Route the control cables under the lower manual, through the keyboard shelf, and into the amplifier section of the console. If no opening is provided, drill a 1" hole in the keyboard shelf just under the lower manual.
3. Mount the console connector chassis inside the console within reach of the adapter and control cables, using the wood screws provided.
4. Plug the Echo, Tremolo and Reverb cables into the proper sockets on the connector chassis.
5. Remove the 3-CKT plug (GREEN on the E -100, WHITE on the K-100) from the "SPEAKER" socket on the console amplifier and plug it into the adapter socket. (See "A" on Fig. 1 & 2).
6. Insert the 3-CKT adapter plug into the "SPEAKER" socket on the console amplifier. (See "B" on Fig. 1 & 2).
7. Insert the 5-pin adapter plug into the "TONE CABINET" socket on the console amplifier. (See "C" on Fig. 1 & 2).

NOTE: On some models this socket may have 7 contacts. If this is the case, use the 7 to 5 adapter provided.

8. Insert the 6-CKT adapter plug into the socket on the connector chassis.
9. Plug the Leslie speaker cable into the 6-contact socket on the connector chassis.
10. Adjust the volume as outlined in the Leslie Service Manual. The installation is now complete.

PARTS LIST

CONSOLE CONNECTOR

Chassis	043059
Cover	061960
Fuseholder	055178
Fuse	031476
Q1	033563
Sl	061713
S2	043265
S3	042077
S4	042119
S5	042093
Insert, female	023556
Insert, male	023309

CONSOLE ADAPTERS

	042754
P2	023259
P2 Insert	023309
P4	013060
P5	019927
P5 Insert	010397
S5	019919
S5 Insert	010421
	062091
P7	024752
S6	029264
Sleeve	029272

ECHO CONTROL

Echo Switch Case	
brown	029199
ebony	029207
ivory	029215
Switch Case Cover	
brown	048702
ebony	048710
ivory	048728
Switch Knob	
brown	048066
ebony	048074
Switch Retainer (2)	048116
Switch Only	010249
4 CKT Plug	042101
Insert	023309

TREMOLO CONTROL

Tremolo Switch Case	
brown	040543
ebony	040550
ivory	040568
Switch Case Cover	
brown	048702
ebony	048710
ivory	048728
Switch Knob	
brown	048066
ebony	048074
Switch Retainer (2)	048116
Switch Only	010249
3 CKT Plug	042085
Insert	023309

REVERB CONTROL

Reverb Switch Case	
brown	040576
ebony	040584
ivory	040592
Switch Case Cover	
brown	048702
ebony	048710
ivory	048728
Switch Knob	
brown	048066
ebony	048074
Switch Retainer (2)	048116
Switch Only	010249
3 CKT Plug	043323
Insert	023556

**ORDERING PARTS:**

Standard hardware, connectors, and electronic components should be purchased locally. Non-standard items may be obtained through a Leslie speaker dealer, or from Electro Music. Orders should include part numbers, as shown above.

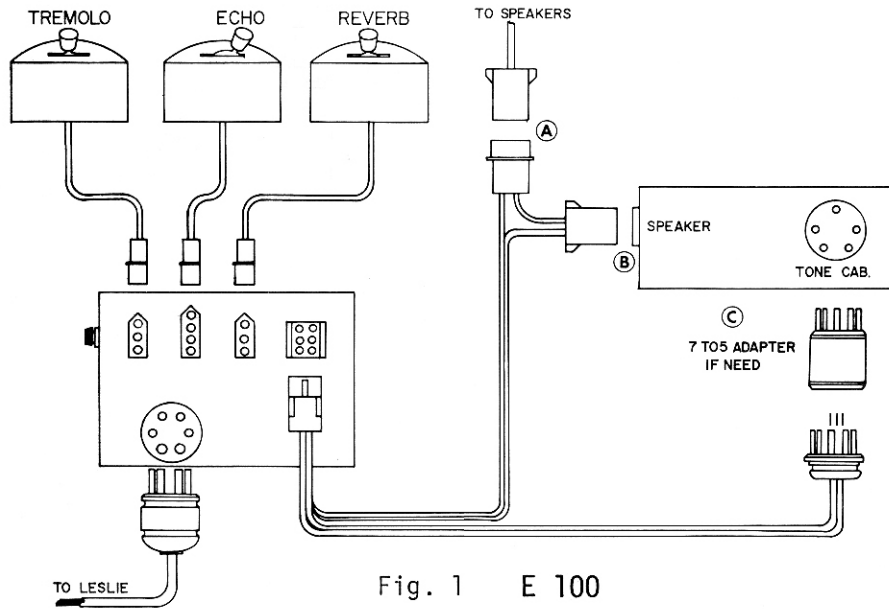


Fig. 1 E 100

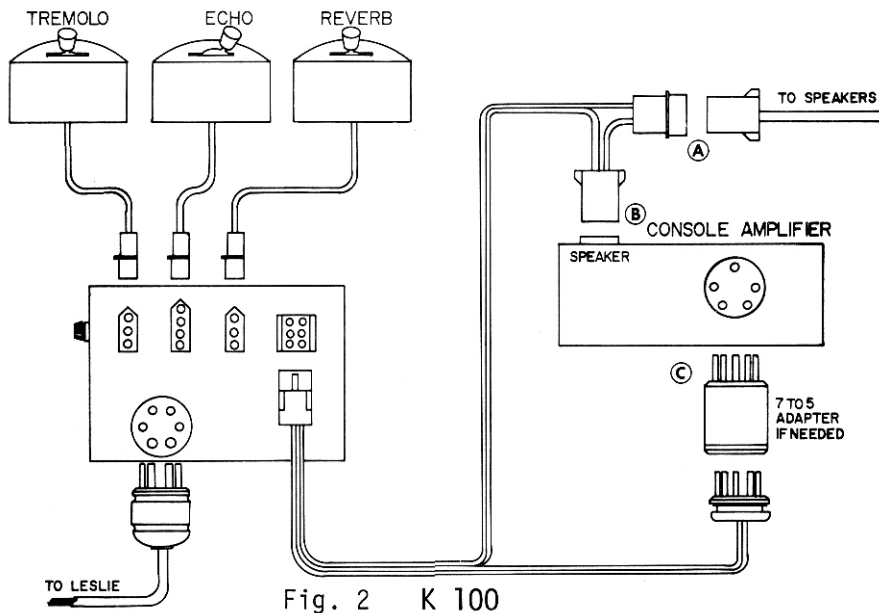


Fig. 2 K 100

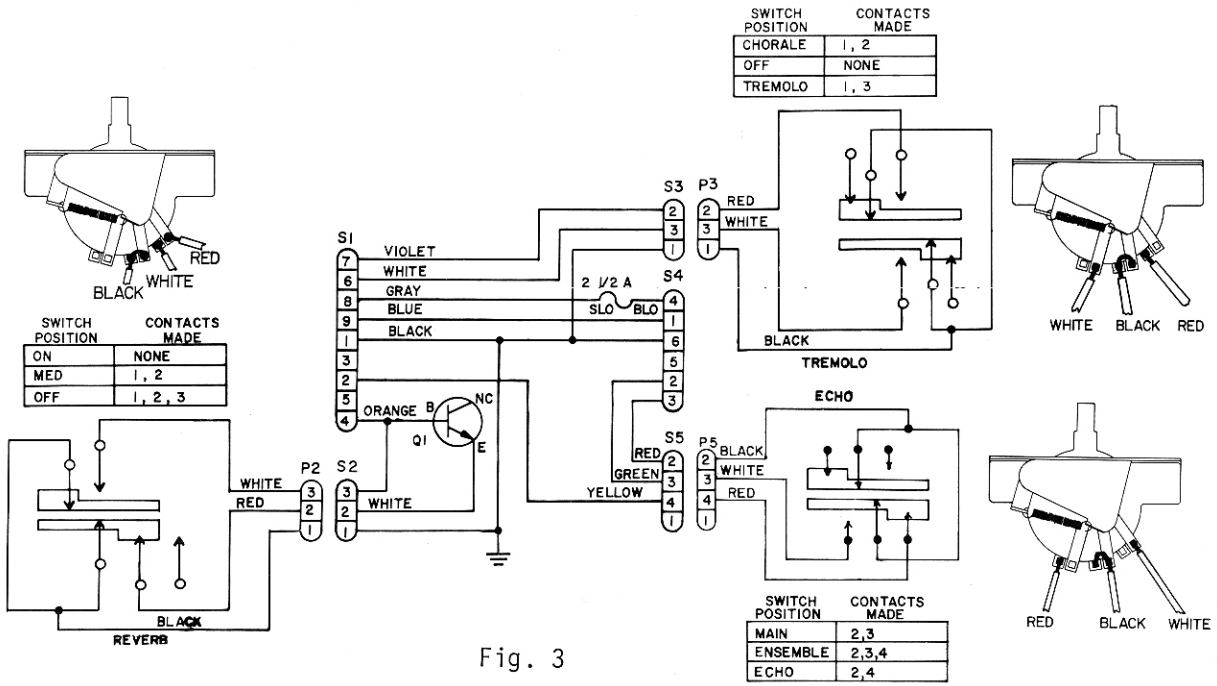


Fig. 3

042754 Adapter

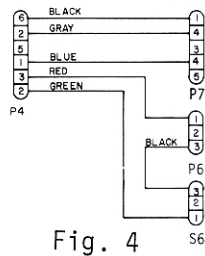


Fig. 4

062091 Adapter

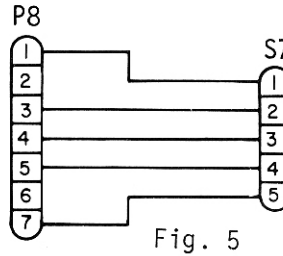


Fig. 5

Plug & Socket Pin Layout

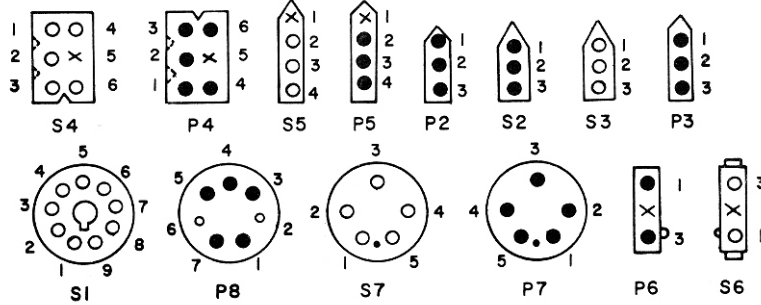


Fig. 6