

## LESLIE 8020 CONSOLE CONNECTOR KIT

### FOR HAMMOND ORGANS

#### E.100 Series

Leslie: 122, 122V, 122RV 142,222, 222RV

#### K-100 Series

Leslie: 122, 142, 222

### CONTENTS OF KIT:

1 Console Connector	038208	1 Tremolo Control
1 Console Adapter	042754	brown    042168
1 7 to 5 Adapter	062091	ebony    042176
1 6 Conductor Cable	017277	ivory    042184
1 Instructions	036913	
6 Insulated Staples	028464	1 Echo Control
1 Oiler	053025	brown    042200
2 Screws, 8 x 1/2	029132	ebony    042218
4 Screws, 6 x 1/2	029124	ivory    042226

### TO INSTALL THE KIT:

1. Mount the Echo and Tremolo control switches to the wooden rail in front of the lower manual using the wood screws provided.
  2. Route the control cables under the lower manual, through the keyboard shelf, and into the amplifier section of the console. If no opening is provided, drill a 1" hole in the keyboard shelf just under the lower manual.
  3. Mount the console connector chassis inside the console within reach of the adapter and control cables, using the wood screws provided.
  4. Plug the Echo and Tremolo control cables into the proper sockets on the connector chassis. Fasten cables in place, with staples provided.
  5. Remove the 3-CKT plug (GREEN on the E-100, WHITE on the K-100) from the "SPEAKER" socket on the console amplifier and plug it into the 042754 adapter socket. (See "A" on Figs. 1 & 2).
  6. Insert the 3-CKT adapter plug into the "SPEAKER" socket on the console amplifier. (See "B" on Fig. 1 & 2).
  7. Insert the 5-pin adapter plug into the "TONE CABINET" socket on the console amplifier. (See "C" on Fig. 1 & 2).
- NOTE: On some models this socket may have 7 contacts. If this is the case, use the 7 to 5 adapter provided.
8. Insert the 6-CKT adapter plug into the socket on the connector chassis.

9. Plug the Leslie speaker cable into the 6-contact socket on the connector chassis.

10. Adjust the volume as outlined in the Leslie Service Manual. The installation is now complete .

## PARTS LIST

### CONSOLE CONNECTOR

Chassis	041921
T1	048025
C1	018093
R1	024117
R2	018457
R3	048157
R4	029363
S1	042093
S2	042119
S3	042077
S4	060459
Insert	023556
Circuit Assy	039032
Fuseholder	055178
Fuse	029280

### ECHO CONTROL

Echo Switch Case	
brown	029199
ebony	029207
ivory	029215
Switch Case Cover	
brown	048702
ebony	048710
ivory	048728
Switch Knob	
brown	048066
ebony	048074
Switch Retainer (2)	048116
Switch Only	010249
4-ckt Plug (P1)	042101
Insert	023309

### ORDERING PARTS:

Standard hardware, connectors, and electronic components should be purchased locally. Non-standard items may be obtained through a Leslie speaker dealer. Orders should include part numbers shown above.

### CONSOLE ADAPTERS

	042754		
P2		023259	
P2 Insert		023309	
P4		013060	
P5		019927	
P5 Insert		010421	
S5		019919	
55 Insert		010397	
	062091		
P7		024752	
56		029264	
Sleeve		029272	

### TREMOLO CONTROL

Tremolo Switch Case			
brown		012260	
ebony		012278	
ivory		012286	
Switch Case Cover			
brown		048702	
ebony		048710	
ivory		048728	
Switch Knob			
brown		048066	
ebony		048074	
Switch Retainer (2)			048108
Switch Only		042911	
3-ckt Plug (P3)		042085	
Insert		023309	

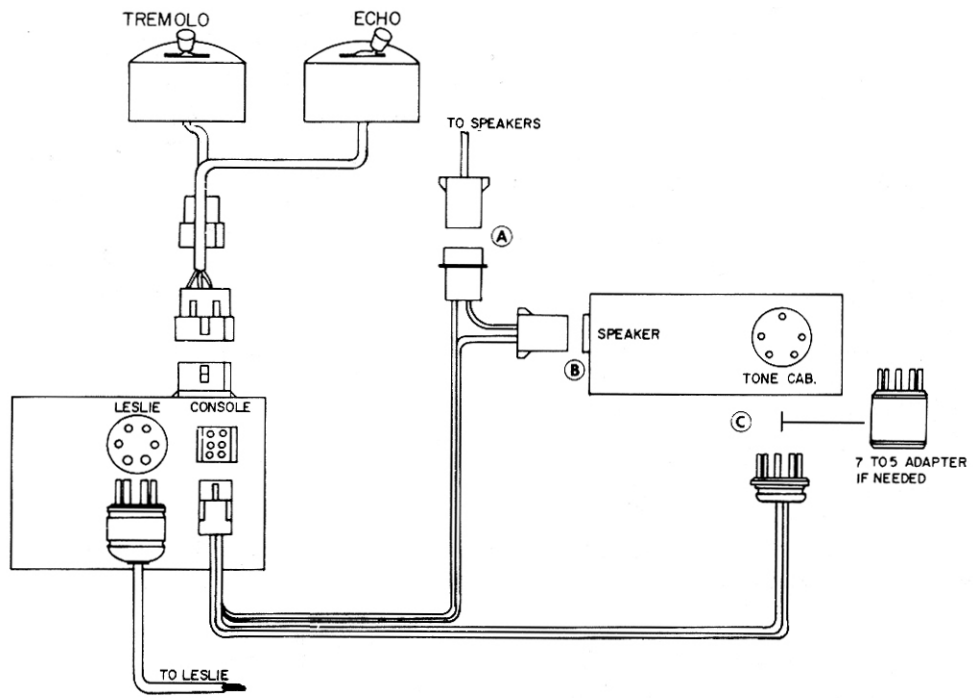


Fig. 1 E-100

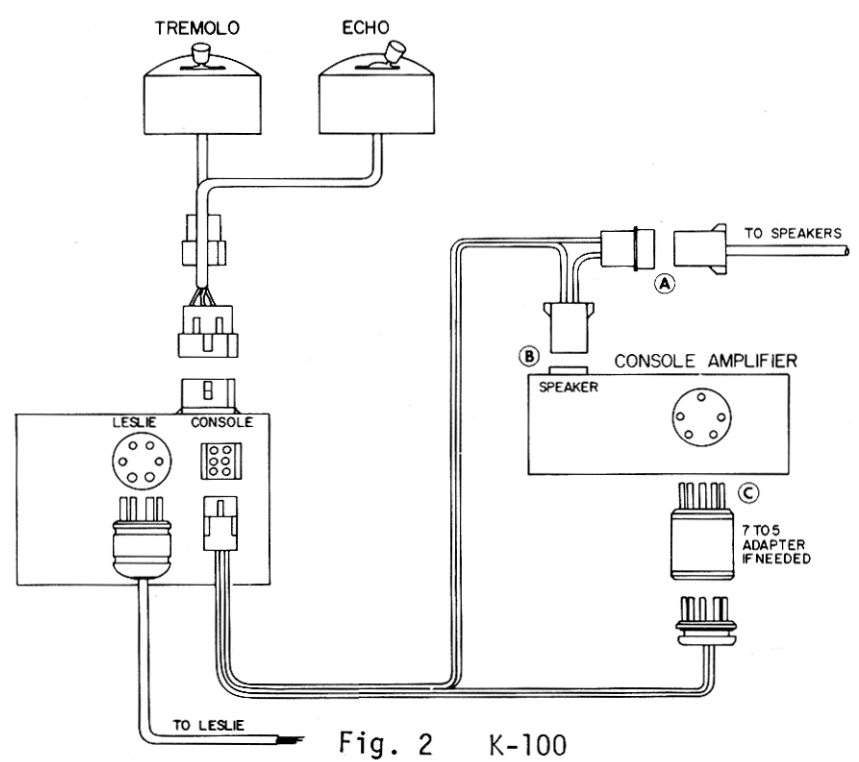


Fig. 2 K-100

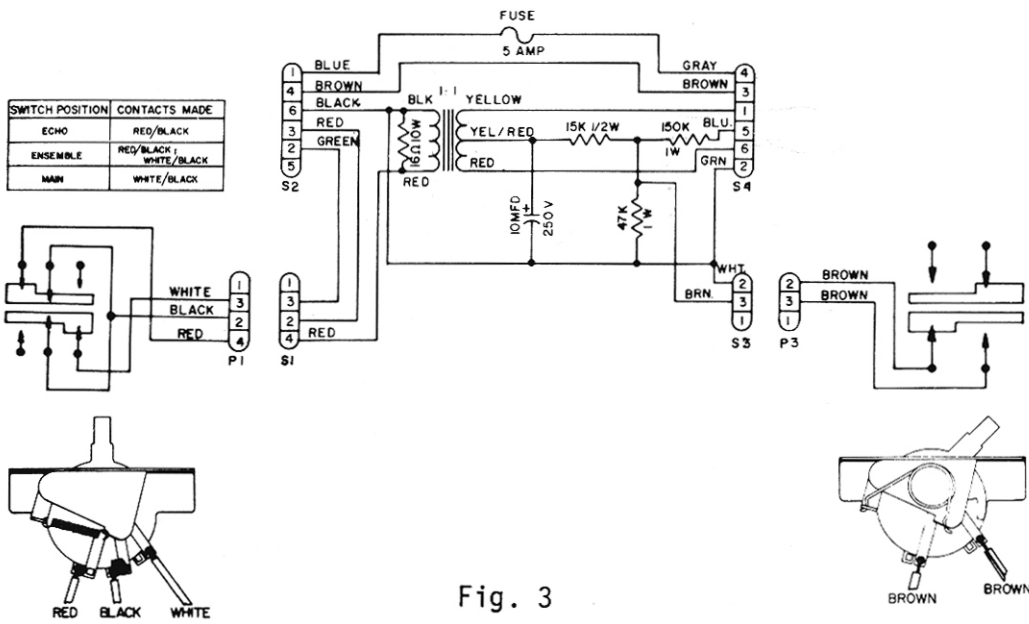


Fig. 3

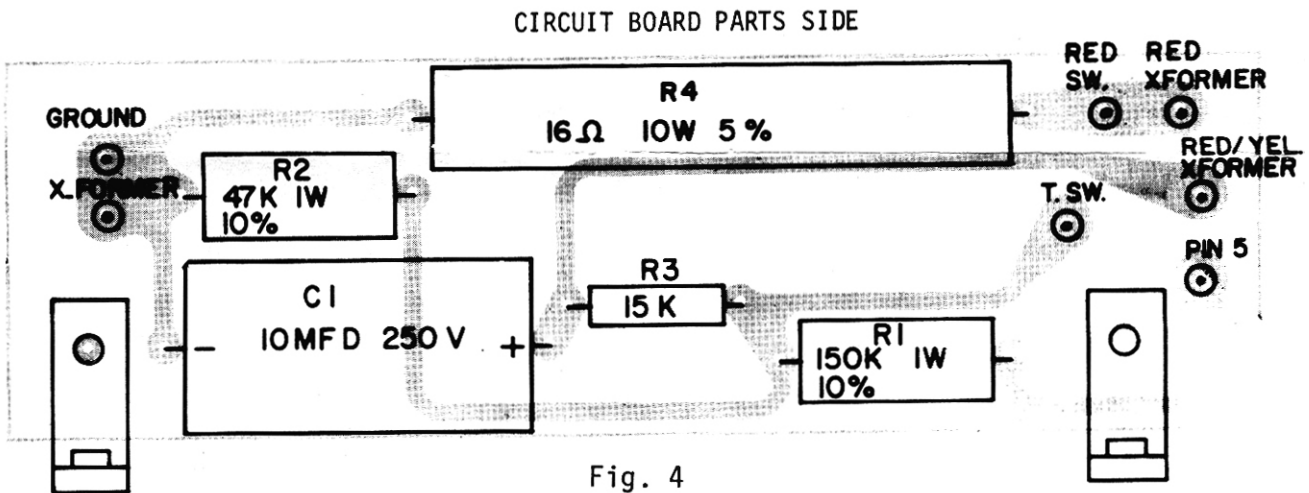


Fig. 4

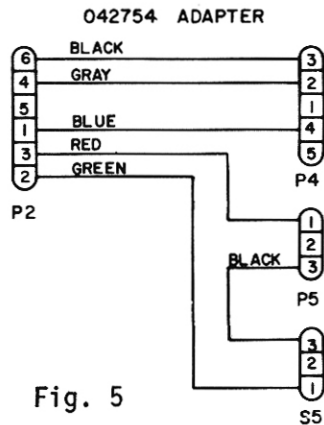


Fig. 5

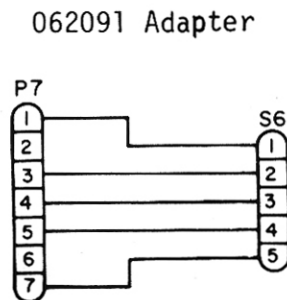


Fig. 6