

LESLIE CONSOLE CONNECTOR KIT 7662 INSTALLATION INSTRUCTIONS

FOR USE WITH: CONN Model 460, 461, 462
LESLIE Speaker Model 700

MULTIPLE SPEAKER INSTALLATION: For complete information, see the service manual for the LESLIE Speaker to be added.

KIT CONTENTS:

| | | | |
|---|------------------------------|--------|----------------|
| | | | 1 Echo Control |
| 1 | Console Connector | 064097 | 052035 brown |
| 1 | 9 Conductor Cable | 021600 | 052043 ebony |
| 1 | Instructions | 064154 | 052050 ivory |
| 1 | Oiler | 053025 | |
| 6 | Insulated Staple | 028464 | |
| 2 | Screw, 8 x 1/2" | 029132 | |
| 4 | Screw, 6 x 1/2", Black Oxide | 029124 | |

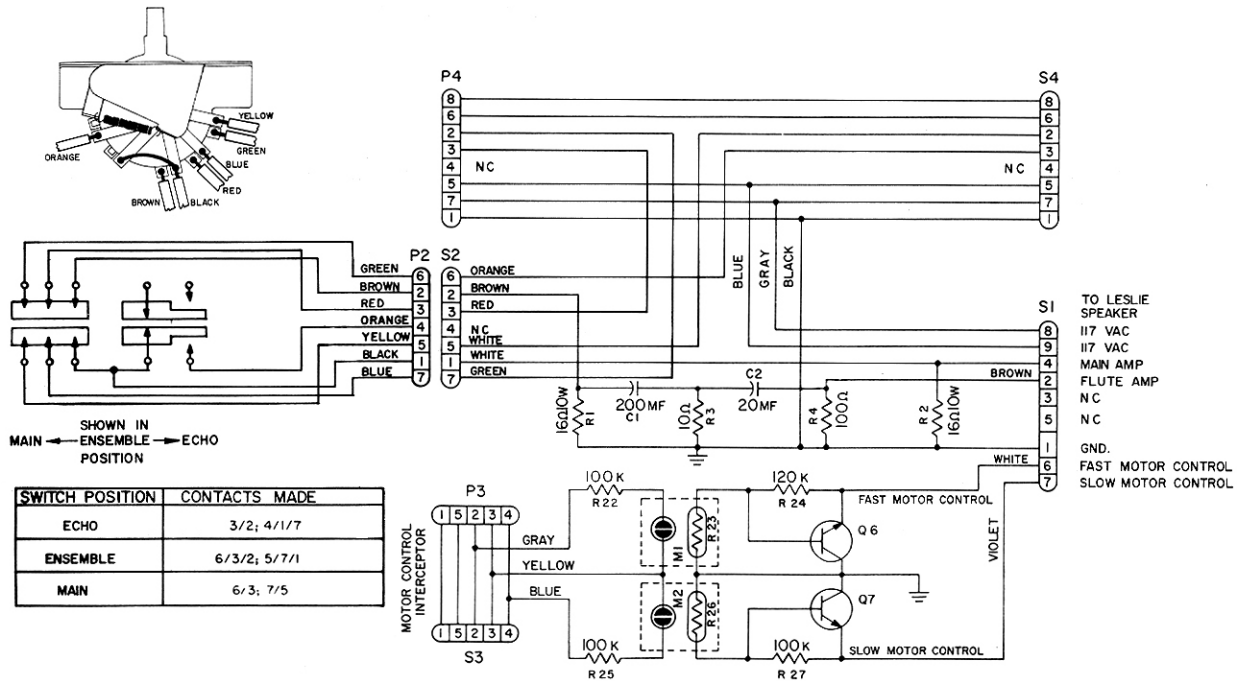
NOTE: Model 700 tremolo and chorale effects are controlled by the internal LESLIE tremolo tab on the Conn Organ.

TO INSTALL:

1. Mount echo control to the wooden rail in front of the lower manual. Use black oxide Screws provided. Remove Conn back cover.
2. Route echo control cable under the lower manual. If control is mounted at the right hand side of the lower manual, remove the fiberboard covering the access hole beneath the right end of the lower manual. Pass cable through this hole to rear of the organ. If control is mounted on the left side, drill a 1 1/8" hole beneath the left end of the keyboard shelf. Route cable to rear of organ. Fasten cable in place with staples provided.
3. Mount console connector within reach of the echo control cable with the two 8 x 1/2" screws provided.
4. Insert echo cable plug into 7 contact socket on the console connector.
5. Locate row of three plugs on top of the Conn amplifier. Detach the 8-pin plug in this row which is nearest amplifier's rear. This is the plug on which pin 4 has been clipped off.
6. Plug the console connector interceptor into the Conn amplifier socket vacated in step 5.
7. Insert the Conn plug disconnected in step 5 into the socket end of the console connector interceptor.

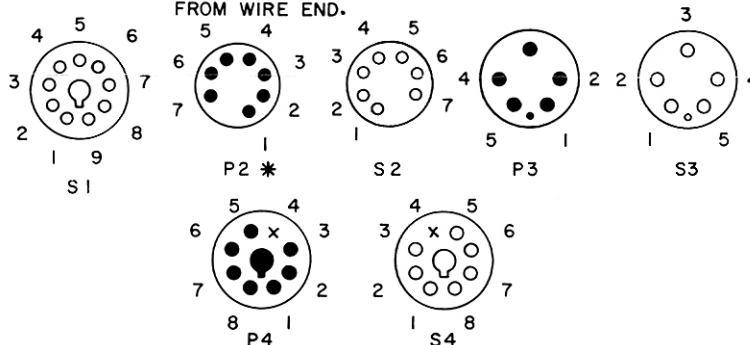
8. Detach Conn socket from the 5 pin tremolo unit plug. (Built-in LESLIE rotor)
9. Connect socket end of the motor control interceptor (5 contact) with the tremolo unit plug.
10. Connect Conn socket detached in step 8 with the plug end of the motor control interceptor.
11. Insert 9 conductor speaker cable through access hole in the Conn back cover. Insert speaker cable plug into the LESLIE SPEAKER socket on the console connector.
12. Connect speaker cable socket to the 9-pin plug on the Model 700 power supply.
13. Replace Conn back cover. Adjust speaker volume of the Model 700 as outlined in its service manual. Installation is now complete.

SCHEMATIC: CONSOLE CONNECTOR 7662 W/CONTROL



PLUGS & SOCKETS: 7662 KIT

NOTE: PLUGS & SOCKETS ARE SHOWN FROM WIRE END.



* WIRE P2 ACCORDING TO DRAWING. DO NOT WIRE ACCORDING TO EMBOSSED NUMBERING ON REAR OF PLUG.

PARTS LIST: CONSOLE CONNECTOR 064097

| | | | |
|--------|---------------------------------------|-----------|--------|
| C1 | Non Polarized, 200 MFD @ 30V 20% | Capacitor | 027607 |
| C2 | Non Polarized, 20 MFD @ 50V 10% | Capacitor | 057679 |
| R1, R2 | Wire Wound, 16 ohm, 10W, 10% | Resistor | 029363 |
| R3 | 10 ohm, 1/2W, 10% | Resistor | 028399 |
| R4 | 100 ohm, 1/2W, 10% | Resistor | 047671 |
| S1 | Socket, 9 Contact Amphenol w/Mounting | | 061713 |
| S2 | Socket, 7 Contact Eby w/Mounting | | 025205 |
| S3 | Molex Socket Housing, 3 Ckt. Nat. | | 042077 |
| S3 | Insert, Female (3 required) | | 023556 |

Interceptor Assembly, 7 Circuit

| | | |
|----|----------------------------|--------|
| P4 | Plug, 8 Pin Octal Modified | 036236 |
| S5 | Socket, 8 Contact Octal | 027847 |

Motor Control Circuit Assembly 063818

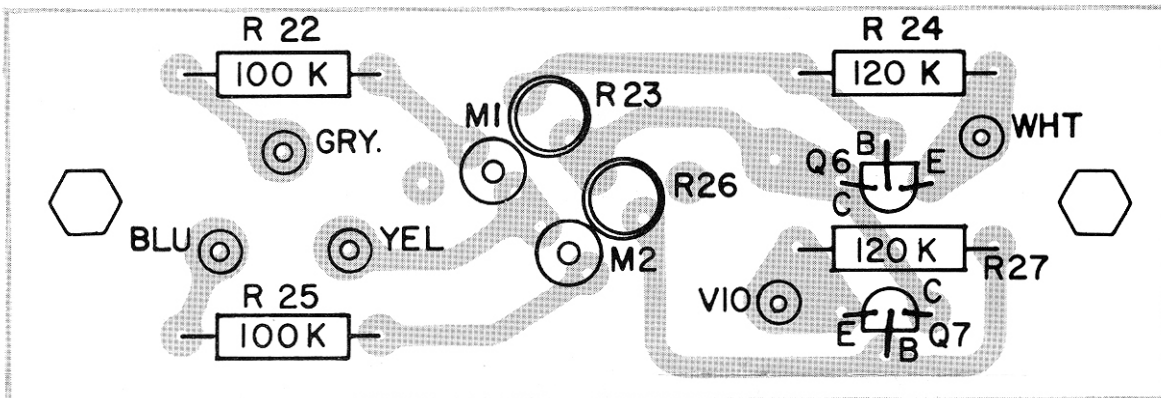
Interceptor Assembly, 5 Circuit

| | | |
|----|--------------------------------|--------|
| P3 | Plug, 5 Pin w/o Mounting | 013060 |
| S3 | Socket, 5 Contact w/o Mounting | 029264 |
| | Sleeve, Interceptor | 041822 |
| | Grommet, 5/8" x 1/2" x 3/8" | 013235 |

PARTS LIST: MOTOR CONTROL CIRCUIT BOARD ASSEMBLY 063818

| PART NO. | DESCRIPTION | EMI NO. | PART NO. | DESCRIPTION | EMI NO. |
|----------|---------------|---------|----------|--------------------------|---------|
| R 22 | 100K Resistor | 028498 | R 26 | Light Dependent Resistor | 030379 |
| R23 | LDR Resistor | 030379 | R27 | 120K Resistor | 027078 |
| R24 | 120K Resistor | 027078 | M1,2 | #NE-2 Neon Glow Lamp | 063958 |
| R25 | 100K Resistor | 028498 | Q6,7 | MSPS 4382 NPN Transistor | 026237 |

PARTS SIDE: MOTOR CONTROL CIRCUIT BOARD 063818



PARTS LIST: 7662 ECHO CONTROL ECHO CONTROL

Echo Switch Case

| | |
|-------|--------|
| brown | 029199 |
| ebony | 029207 |
| ivory | 029215 |

Switch Knob

| | |
|-------|--------|
| brown | 048066 |
| ebony | 048074 |

| | |
|---------------------|--------|
| Switch Retainer (2) | 048116 |
|---------------------|--------|

Switch Case Cover

| | |
|-------|--------|
| brown | 048702 |
| ebony | 048710 |
| ivory | 048728 |

| | |
|-------------|--------|
| Switch Only | 029173 |
|-------------|--------|

| | |
|----------------|--------|
| P2 7 -Pin Plug | 029223 |
|----------------|--------|

| | |
|-------------|--------|
| P2 Cap, PVC | 029231 |
|-------------|--------|

Ordering Parts:

Standard hardware, connectors, and electronic components should be purchased locally. Non-standard items may be obtained through a LESLIE Speaker dealer. Orders should include part numbers listed above.