

CONSOLE KIT 7660 INSTALLATION INSTRUCTIONS

FOR USE WITH: CONN 543,551,633,642,650,628 and older two channel CONN Organs
with internal LESLIE Speakers
LESLIE SPEAKER MODEL 700

MULTIPLE SPEAKER INSTALLATION: For complete information, see the service manual of the LESLIE Speaker to be added.

KIT CONTENTS:

1	Console Connector	063792
1	9 Conductor Cable	021600
1	Instructions	063982
1	Oiler	053025
2	Screw, 8 x 1/2"	029132
4	Insulated Staple	028464

TO INSTALL:

1. Remove back panel from the organ. Mount console connector inside the organ with the two No.8 X 1/2" screws provided.
2. Detach the Conn socket from 5 pin plug located on the Tremolo Unit.
3. Connect socket end of the console connector interceptor with the 5 pin Tremolo Unit plug.
4. Connect the Conn socket detached in step 2 with plug end of the console connector interceptor
5. Insert 6 pin plug from console connector into the Conn external speaker socket. This socket will be marked either: "ELECTRO MUSIC 251 TONE CABINET" or: "ELECTRO MUSIC 351 TONE CABINET."
6. Connect 9 conductor cable to the LESLIE Speaker 700 and the "LESLIE SPEAKER" socket on the console connector.
7. Adjust the volume of the Model 700 as outlined in its service manual. Installation is now complete.

NOTE: In this installation, all functions of the Model 700 Speaker are controlled by the appropriate tabs on the Conn Organ.

PARTS LIST: CROSSOVER CIRCUIT BOARD 063834

PART NO.	LOCATION	DESCRIPTION		EMI NO.
C1	C3	Poly, 0.1MFD, 200V, 20%	Capacitor	022251
C2	C3	Mylar, 0.033MFD, 100V 10%	Capacitor	028654
C3	B3	Disc, 470PF, 1KV, 20%	Capacitor	028662
C4	A2	Elect., 1S0MFD,25V	Capacitor	031294
C5	A3	Disc, 0.01MFD, 1KV, 10%	Capacitor	060467
C6	A3	Poly, 0.1MFD, 200V, 20%	Capacitor	022257
C7	A2	Elect., 150MFD, 25V	Capacitor	031294
C8	A3	Poly,.1MFD,ZOOV,ZO%	Capacitor	022251
C9	B2	Disc, 0.0047MFD, I00V, 10%	Capacitor	028431
C10	C2	Elect., 5MFD, 50V	Capacitor	028589
C11	B2	Poly, 0.1MFD, 200V, 20%	Capacitor	022251
C12	B2	Disc., 470PF, 1KV, 20%	Capacitor	028662
C 13	C2	Mylar, 0.033MFD, 100V, 10%	Capacitor	028654
C14	B2	Elect., 5MFD, 50V	Capacitor	028589
C15	A1	Elect., 150MFD,25V	Capacitor	031294
C16	A2	Disc, 0.01MFD, 1KV, 20%	Capacitor	060467
R1	C2	3.3K	Resistor	024141
R2	C3	5.6K	Resistor	024844
R3	C3	2.2K	Resistor	028571
R4	C3	15K	Resistor	048157
R5	B3	82K	Resistor	027102
R6	C3	120K	Resistor	027078
R7	B3	150 ohm	Resistor	024158
R8	B3	47K	Resistor	028506
R9	C 3	3.3K	Resistor	024141
R10	A3	82K	Resistor	027102
R11	B3	2.2K	Resistor	028571
R12	C2	2.2K	Resistor	028571
R13	C2	22K	Resistor	028530
R14	C2	33K	Resistor	028522
R15	C2	15K	Resistor	048157
R16	C2	47K	Resistor	028506
R17	B2	150 ohm	Resistor	024158
R18	B2	4.7K	Resistor	028555
R19	B2	22K	Resistor	028530
R20	B2	56K	Resistor	02A133
R21	B2	3.3K	Resistor	024141

PART NO.	LOCATION	DESCRIPTION		EMI NO.
Q1	B3	MSPS 4382 NPN	Transistor	026237
Q2	B3	2N3859A NPN	Transistor	061366
Q3	A3	2N3859A NPN	Transistor	061366
Q5	B2	2N3859A NPN	Transistor	061366
Q4	B2	MSPS 4382 NPN	Transistor	026237
Q5	B2	2N3859A NPN	Transistor	061366

PARTS LIST: MOTOR CONTROL CIRCUIT BOARD ASSEMBLY 063818

PART NO.	DESCRIPTION		EMI NO.
R22	100K	Resistor	028498
R23	LDR	Resistor	030379
R24	120K	Resistor	027078
R25	100K	Resistor	028498
R26	LDR	Resistor	030379
R27	120K	Resistor	027078
M1, 2	#NE-2	Miniature Lamp	063958
Q6,7	MSPS 4382 NPN	Transistor	026237

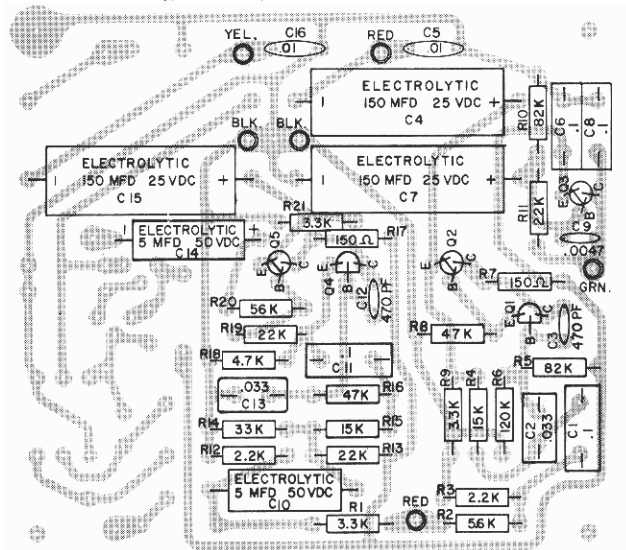
7660 KIT

Please note that this new 7660 Kit is intended for attaching Leslie Speaker Model 700 to Conn Organ models as listed. However, just as in the case of 251/351, whether you have Main-Echo switching depends on the specific organ. The kit does not provide it. Likewise, because of inbuilt circuitry on 541 and 626 chorale speed is not available. As regards 630, only Type 2 will accept the 700.

- 541, 542, 543, 550, 551
- 626, 627, 628, 630 (Type 2), 631, 632, 633
- 640, 641, 642, 645, 650

Another kit will follow for other models such as 460, 461, 462.

CROSSOVER CIRCUIT BOARD 063834
PARTS SIDE:



PARTS SIDE: MOTOR CONTROL CIRCUIT BOARD 063818

