

LESLIE CONSOLE CONNECTOR KIT 7271
INSTALLATION INSTRUCTIONS

For Hammond Consoles: M1, M2, M3, M100, L100

To Leslie Models: 120, 125, 145, 147, 147RV, 225, 247, 247RV.

MULTIPLE SPEAKER INSTALLATIONS: For complete information, consult the Owner's Manual of the LESLIE speaker to be added.

Contents of Kit:	1 - Console Adapter	027011	1 - Tremolo Control
	1 - 6 Conductor Cable	017277	012625 Brown
	1 - Console Connector	012617	012633 Ebony
	1 - Instructions	034447	012641 Ivory
	5 - Insulated Staples	028464	
	1 - Oiler	053025	1 - Echo Control
	2 - Screws, 8 x 1/2	029132	029397 Brown
	4 - Screws, 6 x 1/2	029124	029405 Ebony
	2 - Connector, Tab, Female	029389	029413 Ivory
	2 - Connector, Tab, Male	029371	

To Install the Kit:

1. Attach the Echo and Tremolo control switches to the wooden rail in front of the lower manual with the wood screws provided. Use the two mounting holes in each case which best center the screws.
2. Remove the console dust cover, and pass the switch cables under the right side of the lower manual into the upper compartment of the console. If no opening is provided, drill a 7/8" hole in the keyboard shelf just under the lower manual.
3. Pass the switch cables into the lower compartment through the slot in the rear edge of the shelf.
4. Locate the console connector midway up the inside left-hand side panel of the lower compartment, making sure the adapter and control cables will reach. Fasten the chassis in place using the wood screws provided.
5. Plug the switch control cables into their sockets on the console connector chassis.
6. Fit the 5 contact socket of the console adapter onto the 5 pin plug of the console connector chassis.
7. M1, M2:
 - a) Disconnect and discard the 5 contact plug and socket assembly from the adapter at the screw terminals.

- b) Remove the green speaker wire from the console amplifier output terminal and connect it to the screw terminal on the green adapter wire. Cover this connection with a plastic sleeve.
- c) Connect the red adapter wire to the output terminal from which you have just removed the green speaker wire.
- d) Connect the black adapter wire to the amplifier output terminal to which the black speaker wire is connected. Do not remove the wire already attached to this terminal.
- e) Connect the gray and blue adapter wires to the two AC terminals on the console amplifier controlled by the console power switch.
- f) Plug the 6-pin plug from the tone cabinet cable into the 6-contact socket on the console connector.
- g) Replace the console dust cover.
- h) Set the console load resistor on the tone cabinet amplifier at 8 ohms, and adjust the speaker volume control as indicated in the manual. The installation is now complete.

M3:

- a) Remove the 5-pin console speaker plug from the amplifier and plug it into the 5-contact adapter socket.
- b) Insert the 5-pin adapter plug into the socket from which you have just removed the speaker plug.
- c) Solder the gray and blue adapter wires to the two AC terminals on the console amplifier controlled by the console power switch.
- d) Plug the 6-pin plug on the tone cabinet cable into the 6-contact socket on the console connector.
- e) Replace the console dust cover.
- f) Set the console load resistor on the tone cabinet amplifier at 8 ohms, and adjust the speaker volume control as indicated in the manual. The installation is now complete.

L-100, M-100:

- a) Cut the wires attaching the 5-pin plug and socket assembly to the adapter at a point just behind the screw terminals and strip the wires 1/4 inch.

- b) Solder the tab connectors provided to the stripped wires as follows:
 - Red - Male
 - Black - Female
 - Green - Female
- c) Remove the green amplifier output wire from the speaker terminal and connect it to the red wire from the console adapter. Cover this connection with a plastic sleeve. NOTE: On late model M-100 consoles, both a red and a green wire are connected to the speaker at this point. Remove both wires and clip off the connector tabs. Do not place a connector tab on the console adapter red wire, but strip all three wires about 1/2 inch. Connect them together with the wire nut provided.
- d) Connect the green adapter wire to the speaker terminal from which you have just removed the green wire.
- e) Connect the black adapter wire to the extra tab on the second console speaker. Do not disturb the black wire already attached.
- f) Solder the gray and blue adapter wires to the two AC terminals on the console amplifier controlled by the console power switch.
- g) Plug the tone cabinet cable into the 6-contact socket on the console connector.
- h) Replace the console dust cover.
- i) Set the console load resistor on the tone cabinet amplifier at 8 ohms, and adjust the speaker volume control as indicated in the manual. The installation is now complete.

PARTS LAYOUT
012617 CONSOLE CONNECTOR

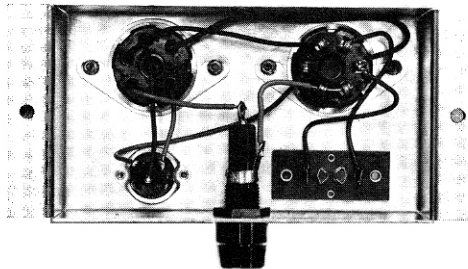
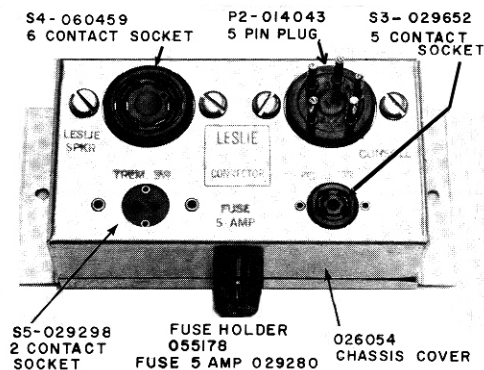


Fig. 1

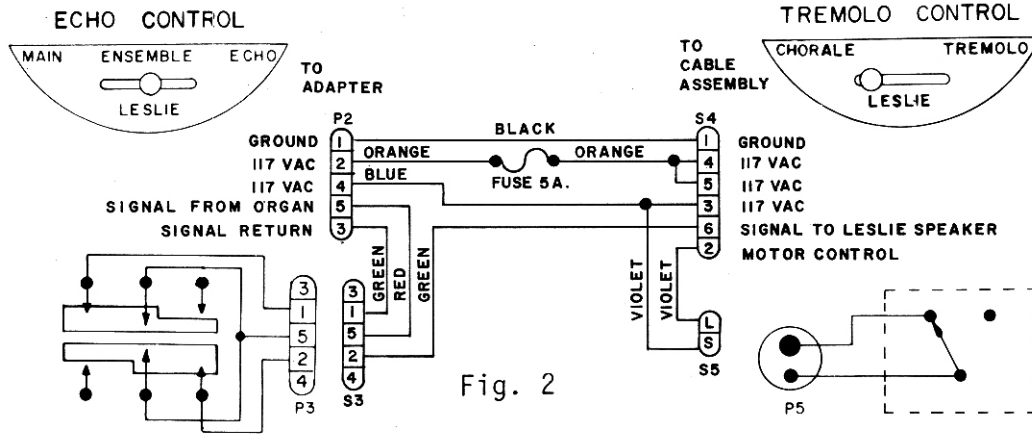


Fig. 2

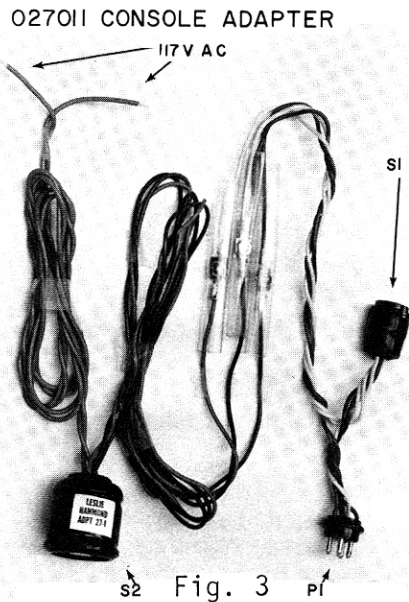


Fig. 3

CONSOLE ADAPTER

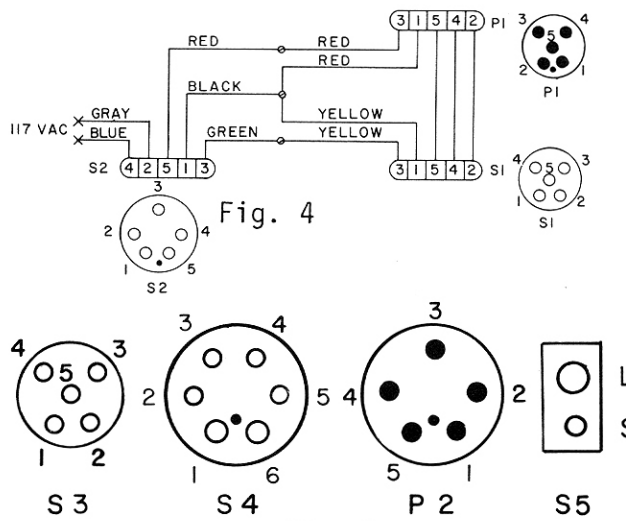


Fig. 4

Fig. 5 (PLUGS AND SOCKETS VIEWED FROM WIRE END)

Control Switch Parts List:

Echo Control

- Echo Switch Case
 - 029199 Brown
 - 029207 Ebony
 - 029215 Ivory
- Switch Case Cover
 - 048702 Brown
 - 048710 Ebony
 - 048728 Ivory
- Switch Knob
 - 048066 Brown
 - 048074 Ebony
- Switch Retainer (2 req'd) 048116
- Switch Only 010249
- 5-Pin Plug 021238

Tremolo Control

- Tremolo Switch Case
 - 012260 Brown
 - 012278 Ebony
 - 012286 Ivory
- Switch Case Cover
 - 048702 Brown
 - 048710 Ebony
 - 048728 Ivory
- Switch Knob
 - 048066 Brown
 - 048074 Ebony
- Switch Retainer (2 req'd) 048108
- Switch Only 042911
- 2-Pin Plug 029165