

LESLIE EXTRA SPEAKER ADAPTER KIT 034496

FOR USE WITH: LESLIE Speaker Models 122, 122RV, 125, 225, 142, 145,
147, 147RV, 245, 247, 247RV

This power relay is used in multiple speaker installations. It provides a point of connection and a separate source of AC voltage for the added speaker. This prevents the additional power demand of the added speaker from overloading the organ power switch and cables.

After installation, both speakers are turned on and off by the power switch on the organ console.

KIT CONTENT

Power Relay Assembly, 117V 60Hz	022202
Screw, sheet metal, 8 A 1/2, Phillips head (2)	029132
Installation Instructions	034512

INSTALLATION

CAUTION: DISCONNECT ORGAN POWER BEFORE PROCEEDING!

1. Disconnect the interconnecting cable from the original speaker.
2. Attach this end of the interconnecting cable to the power relay. (A, figure 1) The other end is in the organ.
3. Attach the socket end of the relay cable to the original speaker. (B)
4. Plug the connecting cable (part number 021600 or kit 7600) for the added speaker into the power relay socket. (C)
5. Attach the other end of this connecting cable to the added speaker. (D)
6. Insert the AC plug of the power relay into an AC outlet.

PARTS LIST: 022202 POWER RELAY ASSEMBLY

Insulator 055632	
Bushing, strain relief	011767
Bushing, strain relief	029256
Bushing, .196 x .312 x .325	051060
Relay, single-pole double-throw, 117V 60Hz	027649
Cable and Socket Assembly, 6-contact	130850
Socket, 6-contact (029546)	

Cable and Plug Assembly, 6-pin	136660
Socket, 6-contact	060459
Cable, AC, black	026823
Screw, sheet metal, 6 x 1/4, hex washer head (2)	026666
Screw, machine, 6-32 x 5/8	028001
Screw, sheet metal, 12 x 3/8, Phillips head	029314
Washer, lock, 6 x 9/16 x .025	026898
Grommet	050211

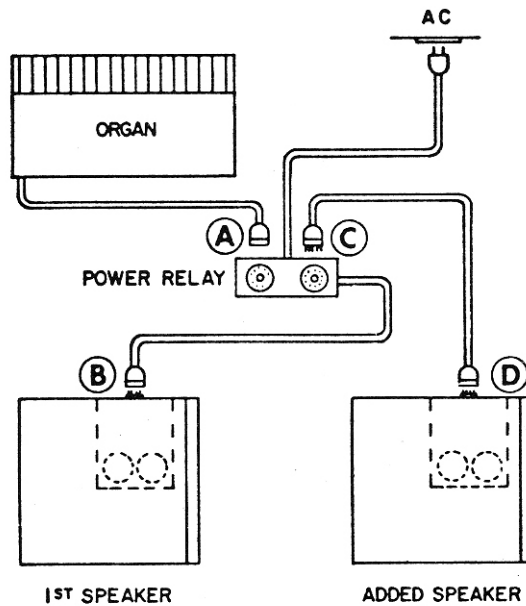


Figure 1.
Multiple Speaker Installation

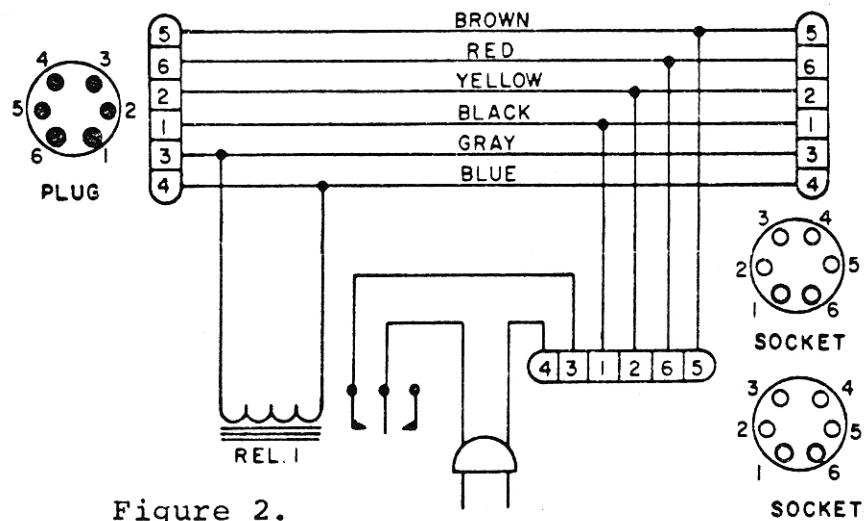


Figure 2.
Schematic, Power Relay Assembly 022202