

LESLIE CONSOLE CONNECTOR KIT 9030

INSTALLATION INSTRUCTIONS

FOR USE WITH: HAMMOND C-2, C-3 Series Organs  
 LESLIE Speaker Models 900, 900U, 925

MULTIPLE SPEAKER INSTALLATION: For complete information, see the service manual of the LESLIE Speaker to be added.

KIT CONTENTS:

1 Console Connector	042440	1 Rev/Aux Control	
1 Extension	042648	brown	042564
1 9 Conductor Cable	021600	ebony	042572
1 Instructions	042663	ivory	042580
10 Insulated Staples	028464		
1 Oiler	053025	1 Tremolo Control	
2 Screw, 8 x 1/2	029132	brown	042606
6 Screw, 6 x 1/2	029124	ebony	042614
10 Wire Nut	028076	ivory	042622
2 Screw, 8 x 1/2	042408		
		1 Echo Control	
		brown	032243
		ebony	032250
		ivory	032268

TO INSTALL THE KIT:

1. Mount the Echo, Tremolo and Rev/Aux control switches to the wooden rail in front of the lower manual using the wood screws provided.
2. Route the control cables under the lower manual, through the keyboard shelf, and into the amplifier section of the console.
3. Mount the console connector chassis inside the console within reach of the adapter and control cables, using the wood screws provided.
4. Connect the three wires from the Rev/Aux control and the RED, WHITE, and BLACK TWISTED wires from the connector chassis using the wire nuts provided. MATCH COLORS (See "A" on Fig. 1.)
5. Connect the three wires from the TREMOLO control and the three JACKETED wires from the connector chassis using the wire nuts provided. MATCH COLORS (See "B" on Fig. 1.)
6. Connect the four wires from the ECHO control and the four JACKETED wires from the connector chassis using the wire nuts provided. MATCH COLORS (See "C" on Fig. 1.)
7. Remove the screw from the locking clamp securing the "DOWN TUBE" atop the console junction box. Slide the tube up approximately three inches. (See "D" on Fig. 1.)
8. Guide the existing console wires through the opening in the extension chassis. (See "E" on Fig. 2.)
9. Drop a pull string through the "DOWN TUBE" and tie it around the extension cable plug. (See "F" on Fig. 2.)
10. Pull the extension cable up the tube and into the "TONE GENERATOR" section of the console. Insert the plug into the socket on the connector chassis. (See "G" on Fig. 1.)
11. Connect the BLUE and GRAY extension cable wires to the 117VAC terminals behind the protective cover on the console Pre-amp. (See "H" on Fig. 1.)
12. Fit the "DOWN TUBE" into the extension chassis. Mount the chassis using the "BRONZED" wood screws provided. (See Fig. 2.)
13. Connect the BLACK connector wire to the "GND" terminal on the console Pre-amp. (See "I" on Fig. 1.)

14. Remove the RED and BLACK wires from the console Pre-amp and connect them to the two "G" terminals on the connector chassis. (See "J" on Fig. 1.)

15. Connect the two RED connector wires to the two "G" terminals on the console Pre-amp. (See "K" on Fig. 1.)

NOTE: Terminals in steps 11 and 13-15 may be solder-type terminals. If this is the case remove the spade lugs from the connector wires and solder the wires to the terminals.

16. Plug the Leslie Speaker cable into the socket on the extension chassis.

17. Adjust the volume as outlined on the speaker back card and in the Leslie Service Manual. The installation is now complete.

### INSTALLATION: KIT 9030

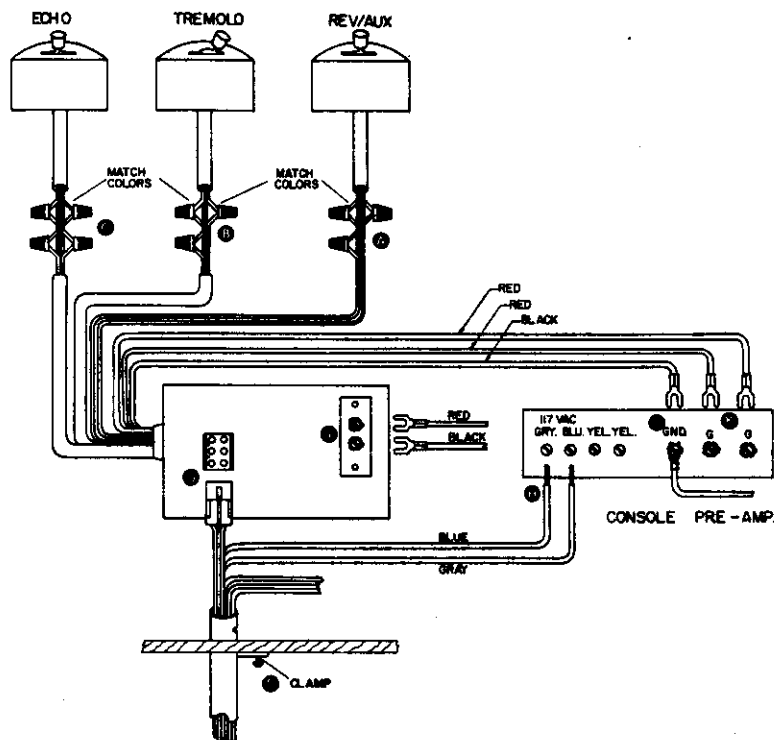


Fig. 1

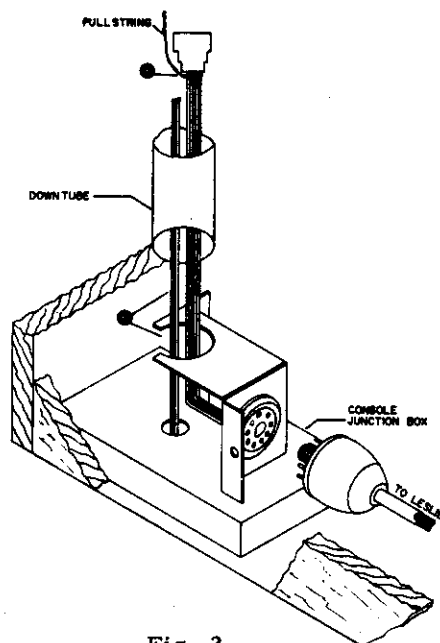


Fig. 2

SCHEMATIC: CONSOLE CONNECTOR 9030 W/CONTROLS

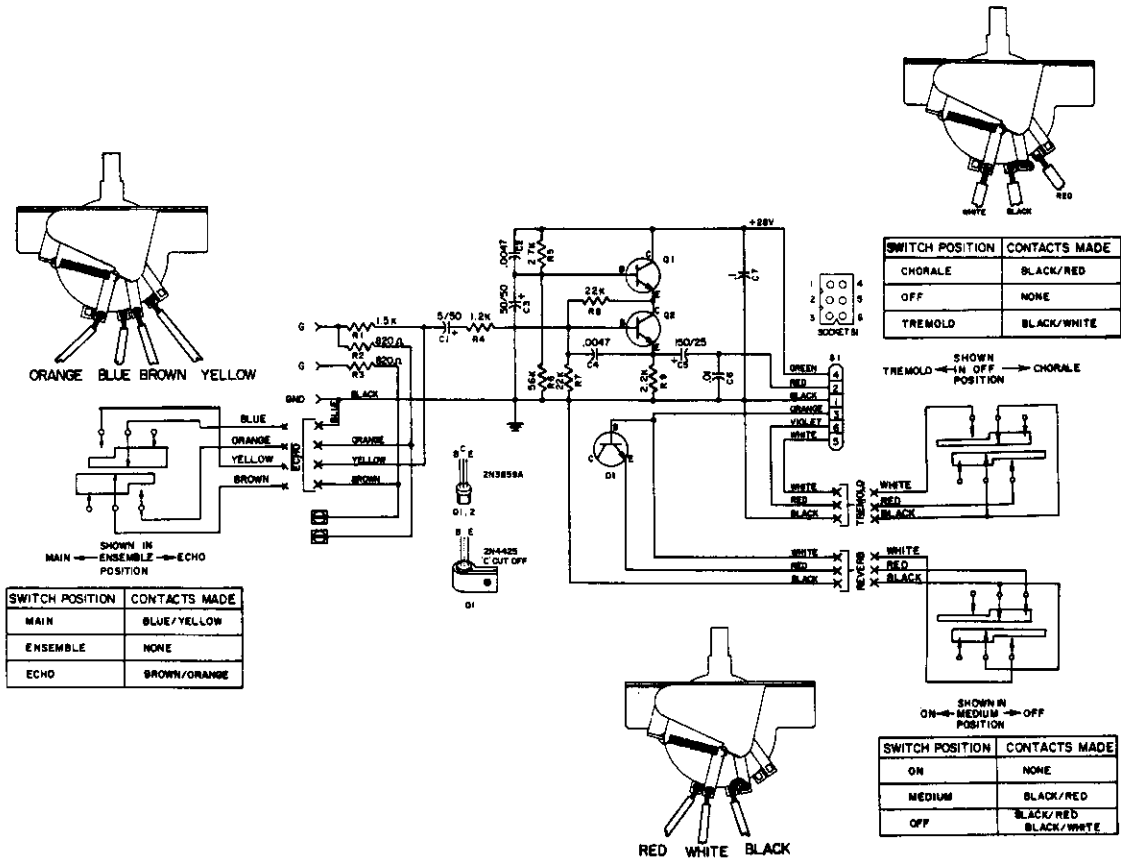


Fig. 3

PARTS SIDE: CIRCUIT ASSEMBLY 042457

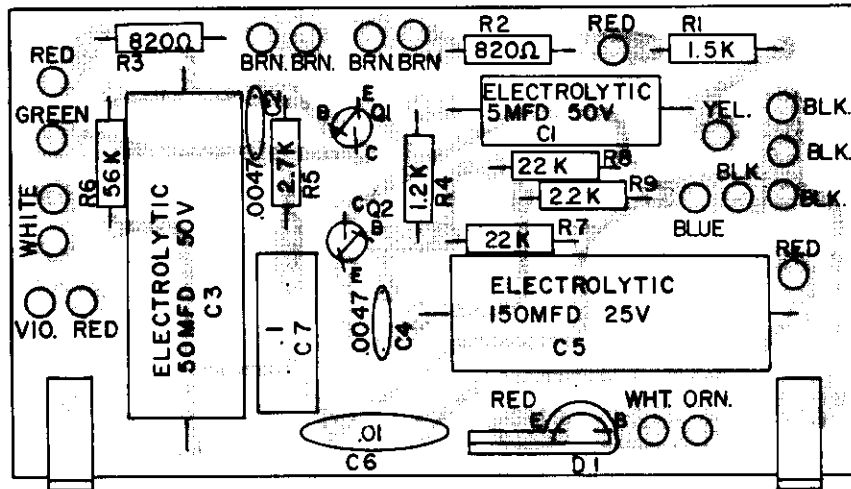


Fig. 4

SCHEMATIC: EXTENSION 042648

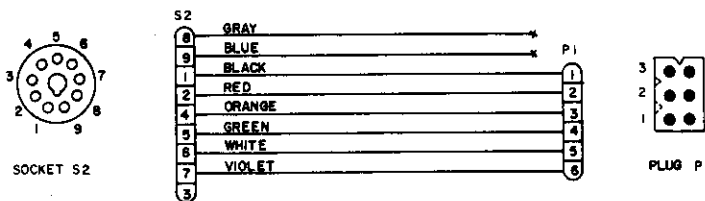


Fig. 5

PARTS LISTS: CONSOLE CONNECTOR KIT 9030

CONSOLE CONNECTOR

Circuit Assy	042457	R5	042549
S1	042119	R6	024133
S1, Insert, Female	023556	R7, R8	028530
C1	028589	R9	028571
C2, C4	028431	Q1, Q2 2N3859A, NPN	061366
C3	025262	D1	059452
C5	031294		
C6	060467		
C7	022251		
R1	022277		
R2, R3	028373		
R4	018036		

042648 Extension

Chassis	042341
Socket	028837
Plug	023259
P1, Insert	023309

ECHO CONTROL

Echo Switch Case	
brown	029199
ebony	029207
ivory	029215

Switch Case Cover	
brown	048702
ebony	048710
ivory	048728

Switch Knob	
brown	048066
ebony	048074

Switch Retainer (2)	048116
Switch Only	029629

TREMOLO CONTROL

Tremolo Switch Case	
brown	040543
ebony	040550
ivory	040568

Switch Case Cover	
brown	048702
ebony	048710
ivory	048728

Switch Knob	
brown	048066
ebony	048074

Switch Retainer (2)	048116
Switch Only	010249

REV/AUX CONTROL

Rev/Aux Switch Case	
brown	061127
ebony	061192
ivory	061200

Switch Case Cover	
brown	048702
ebony	048710
ivory	048728

Switch Knob	
brown	048066
ebony	048074

Switch Retainer (2)	048116
Switch Only	010249

Ordering Parts:

Standard hardware, connectors, and electronic components should be purchased locally. Non-standard items may be obtained through a Leslie speaker dealer. Orders should include part numbers listed above.