



CONSOLE CONNECTOR KIT 8402

INSTALLATION INSTRUCTIONS

FOR USE WITH: HAMMOND Organ Models C-2, C-3
LESLIE Speaker Models 122, 122RV, 142, 242

KIT CONTENT

Console Connector Assembly	047357	Echo Control		
Console Connector Extension	047373		brown	032243
Cable Assembly, 6-conductor, 30-foot	017277		ebony	032250
Hardware Package	044552		ivory	032268
Screw, wood, 6 x 1/2, Phillips head (4)	029124	Tremolo Control	brown	015594
Screw, sheet metal, 8 x 1/2, Phillips head (2)	029132		ebony	015602
Screw, sheet metal, bronze, 8 x 1/2, Phillips head (2)	042408	Oiler	ivory	015610
Wire Nut (7)	028076			
Staple, insulated (7)	028464			

CAUTION: Due to the presence of electrical potential and the danger of moving mechanical parts, installation procedures or adjustments requiring work inside the LESLIE speaker cabinet or the organ console should be performed only by a service man authorized by the dealer or factory to perform such work.

INSTALLATION

CAUTION: DISCONNECT ORGAN POWER BEFORE PROCEEDING!

1. Mount the echo and tremolo control switches under the keyboard shelf, in a position convenient for the organist.
2. Route the control cables through the keyboard shelf and into the amplifier section of the organ. If no opening is provided, drill a 1-inch-diameter hole in the shelf, being careful to select a location where no internal component will be damaged.
3. Mount the console connector to the left of the organ pre-amplifier, in such a position that the cables and extension can reach their intended destinations. Use the cadmium plated screws to hold the console connector.
4. Attach the two tremolo control wires to the AC-type wires on the console connector, using wire nuts. (A, figure 1)

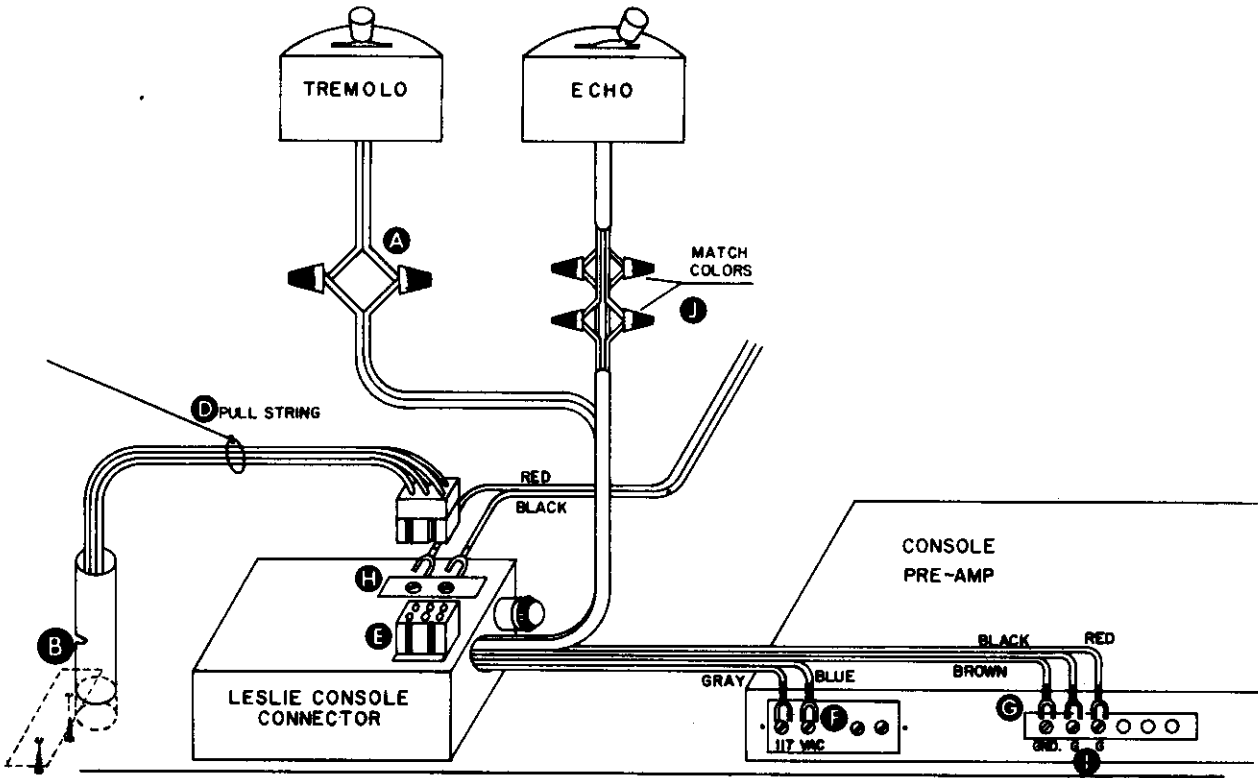


Figure 1. Interconnections

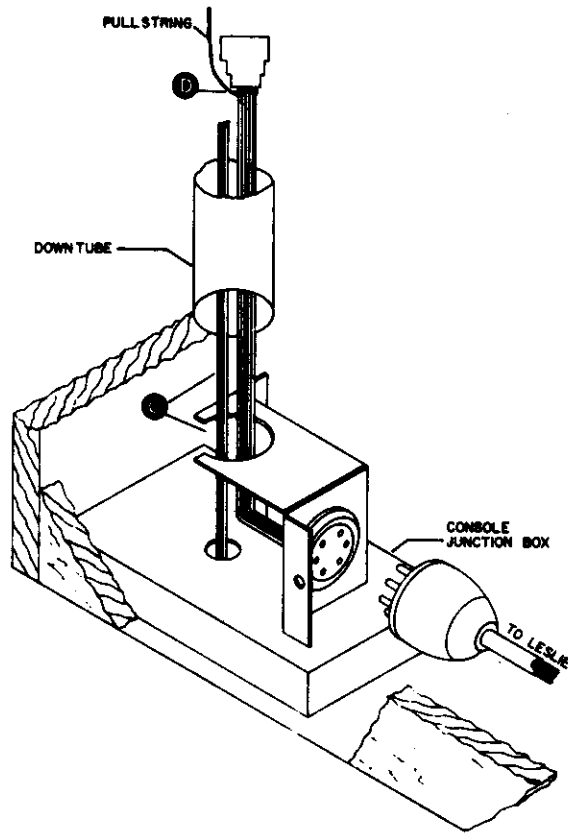
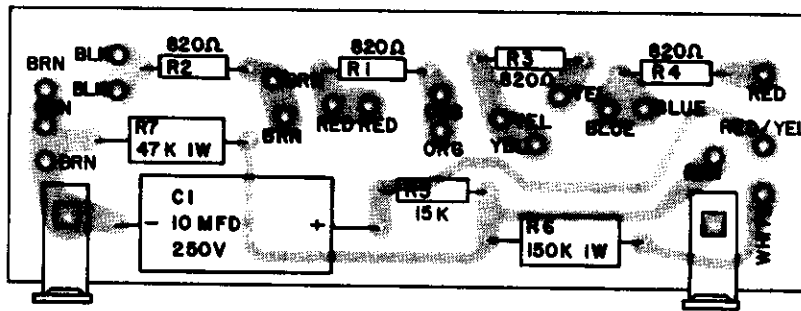


Figure 2. Downtube and Console Connector Extension

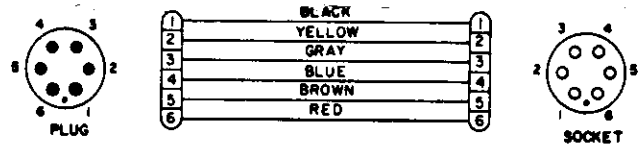


PARTS LIST: 047506 CIRCUIT BOARD ASSEMBLY

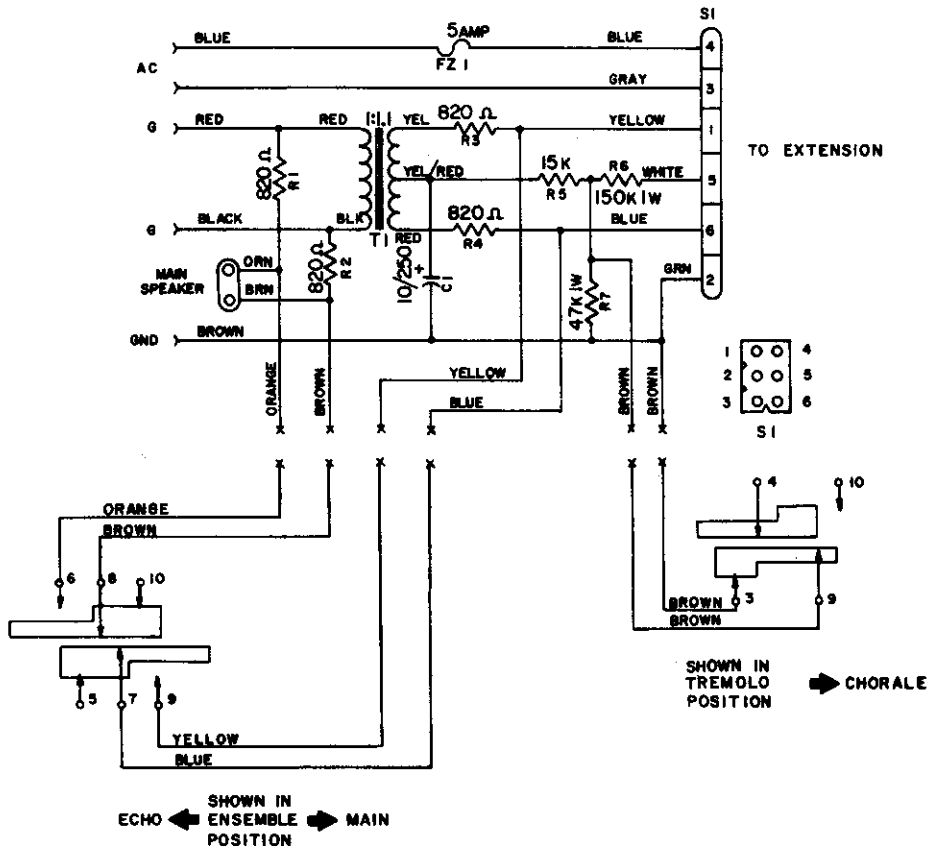
Capacitor, 10 mfd, 250V	018093
Resistor, 820 ohms, 1/2W, 10%	
(R1, R2, R3, R4)	028373
Resistor, 15K, 1/2W, 10% (R5)	048157
Resistor, 150K, 1W, 10% (R6)	024117
Resistor, 47K, 1W, 10% (R7)	018457
Etched Circuit Board	044180

PARTS LIST: 017277 CABLE ASSEMBLY

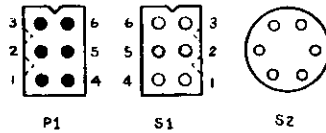
Plug, 6-pin	061721
Socket, 6-pin	029546
Cap Body, right	130000
Cap Body, left	130010
Screw, sheet metal, 4 x 1/2, hex washer head	136360



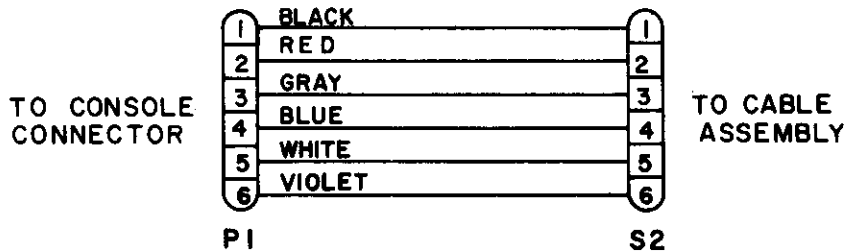
Schematic, 017277 Cable Assembly
(Plug and Socket Shown from Wire End)



Schematic, Console Connector Assembly 047357 and Controls



Plugs and Sockets
(Shown from Wire End)



Schematic, Console Connector Extension 047373