

CONSOLE CONNECTOR KIT 8401 INSTALLATION INSTRUCTIONS

FOR USE WITH: HAMMOND Organ Models B-2, B-3
LESLIE Speaker Models 122, 122RV, 142, 242

KIT CONTENT

Console Connector Assembly	047357	Echo Control	
Console Connector Extension	047365	brown	032243
Hardware Package	044552	ebony	032250
Screw, sheet metal, 8 x 1/2, Phillips head (2)	029132	ivory	032268
Screw, sheet metal, 8 x 1/2, Phillips head, antique bronze (2)	042408	Tremolo Control	
Screw, wood, 6 x 1/2, Phillips head (4)	029124	brown	015594
Wire Nut (7)	028076	ebony	015602
Staple, insulated (7)	028464	ivory	015610
		Cable Assembly, 6-conductor, 30-foot	017277
		Oiler	053025

CAUTION: Due to the presence of electrical potential and the danger of moving mechanical parts, installation procedures or adjustments requiring work inside the LESLIE speaker cabinet or the organ console should be performed only by a service man authorized by the dealer or factory to perform such work.

INSTALLATION

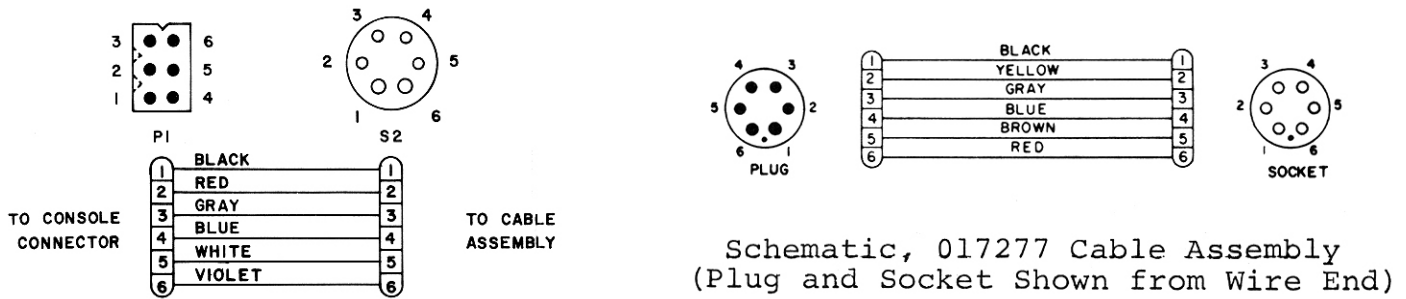
CAUTION: DISCONNECT ORGAN POWER BEFORE PROCEEDING!

1. Mount the echo and tremolo control switches to the wooden rail in front of the lower manual. Use the black oxide screws provided in the hardware kit.
2. Route the echo and tremolo control cables under the lower manual, through the keyboard shelf, and into the amplifier section of the organ. Fasten them with the staples provided.
3. Mount the console connector chassis inside the organ within reach of the organ pre-amplifier, down tube, and the echo and tremolo control cables. Use the cadmium-plated screws provided.
4. Connect the tremolo control cable wires to the AC type wires from the console connector chassis. Use the wire nuts provided. (A, installation drawing)
5. Connect the echo control cable's ORANGE, BLUE, BROWN, and YELLOW wires to matching ORANGE, BLUE, BROWN, and YELLOW wires protruding from the console connector's brown shielded cable (J).

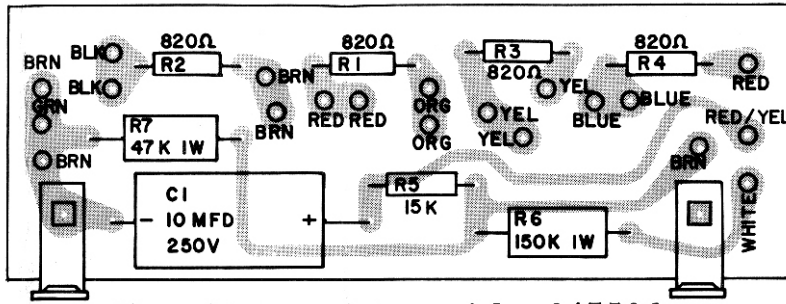
6. Locate the down tube near the organ junction box and remove its screws and locking clamp (B). Slide the tube up approximately 3 inches to make room for the console connector extension.
7. Remove the two side screws from the extension. Then loosen the two top screws and slide the chassis end plate out of the chassis body (C).
8. Guide the existing organ console wires through the slot in the extension chassis (C).
9. Drop a pull string through the down tube and tie the string to the extension cable plug (D).
10. Pull the extension cable up the tube and onto the tone generator support shelf. Insert the extension plug into its socket on the console connector chassis (E).
11. Fit the down tube into its hole in the extension chassis and reassemble the chassis. Using the bronzed wood screws provided, mount the extension chassis on the bottom shelf (C).
12. Connect the BLUE and GREY console connector wires to the 117 VAC terminals behind the protective cover on the organ pre-amplifier (F).
13. Connect the BROWN console connector wire to the GND terminals on the organ pre-amplifier (G).
14. Remove the RED and BLACK main speaker wires from the two terminals marked "G" on the pre-amplifier (I). Connect these wires to the two screw terminals (H) on the console connector chassis.
15. Connect the RED and BLACK console connector wires to the pre-amplifier 11G" terminals.
NOTE: Terminals in steps 12-15 may be solder-type terminals. If so, remove the spade lugs from the console connector wires and solder the wires in place.
16. Plug the LESLIE speaker cable into its socket on the console connector extension chassis.
17. Adjust the speaker volume according to the speaker back card or the LESLIE service manual.

Ordering Parts

Standard hardware, connectors, and electronic components should be purchased locally. Non-standard items may be obtained through a LESLIE speaker dealer. Orders should include part numbers as listed.

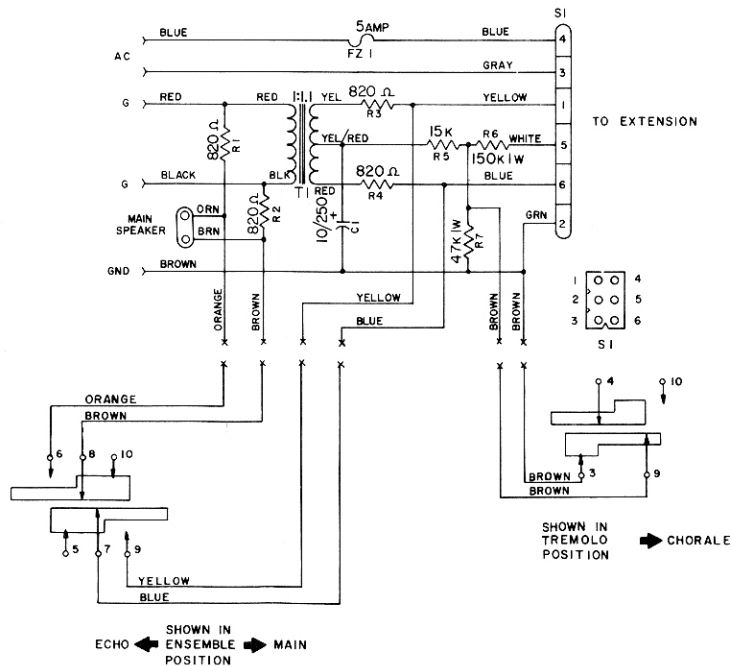


Schematic, 047365 Console Connector Extension (Plug and Socket Shown from Wire End)



Reference

Designation	Description	Part No.
C1	Capacitor, 10 mfd, 250 volts	018093
R1,R2,R3,R4	Resistor, 820 ohm, 1/2 watt, 10%	028373
R5	Resistor, 15K, 1/2 watt, 10%	048157
R6	Resistor, 150K, 1 watt, 10%	024117
R7	Resistor, 47K, 1 watt, 10%	018547
	Circuit Board, etched	044180



Schematic, 047357 Console Connector and Controls (Socket Shown from Wire End)

PARTS LIST: 017277 CABLE ASSEMBLY

Plug, 6-pin	061721
Socket, 6-pin	029546
Cap Body, right	130000
Cap Body, left	130010
Screw, sheet metal, 4 x 1/2, hex washer head	136360

PARTS LIST: CONSOLE CONNECTOR ASSEMBLY 047357

Circuit Board Assembly	047506
Chassis	061960
Housing, socket, 6-circuit	042119
Contact, Insert, female (6)	023556
Fuse Holder	055178
Fuse, 5-amp	029280
Terminal Strip	034108
Transformer, isolation	048025
Screw, sheet metal, 8 x 1/4, Phillips head (2)	025635
Screw, machine, 6-32 x 3/8 (2)	027979

PARTS LIST: CONSOLE CONNECTOR EXTENSION 047365

Cable Assembly, extension	047654
Chassis	042374
Chassis End	042382
Ring, retainer	031948
Screw, sheet metal, 6 x 1/4, hex washer head (4)	042366

PARTS LIST: TREMOLO CONTROL

Switch Case		Switch Knob	
brown	103750	brown	048066
ebony	103760	ebony	048074
ivory	103770	Switch and Cable Assembly	028704
Case Cover		Switch Retainer (2)	048744
brown	048702	Screw, thread-cutting,	029140
ebony	048710	6-32 x 3/8 (2)	
ivory	048728	Label, CHORALE/TREMOLO	103640
Cork, adhesive	029157		

PARTS LIST: ECHO CONTROL

Switch Case	switch Knob		
brown	103750	brown	048066
ebony	103760	ebony	048074
ivory	103770	Switch and Cable Assembly	035584
Case Cover	Switch Retainer (2)		048116
brown	048702	Screw, thread-cutting	029140
ebony	048710	6-32 x 3/8 (2)	
ivory	048728	Label, 'MAIN/ENSEMBLE/ECHO	103670
Cork,	adhesive		029157

