



CONSOLE CONNECTOR KIT 8061

INSTALLATION INSTRUCTIONS

FOR USE WITH: HAMMOND Maverick, Regent, Cougar, Phoenix, Grandee, Monarch, Aurora, Dolphin 9200, 9400, 9500, and T-500
LESLIE Speaker Models 700, 710

KIT CONTENT

Console Connector	NET. 17.73	126620	Echo Switch Assembly	13.03 NET/Brown
Cable Assembly, 9-conductor, 30-foot	18.00 NET	021600	brown	019588
Hardware Package		127670	ebony	019596
Oiler		053025	ivory	019604

CAUTION: Due to the presence of electrical potential and the danger of moving mechanical parts, installation procedures or adjustments requiring work inside the LESLIE speaker cabinet or the organ console should be performed only by a service man authorized by the dealer or factory to perform such work.

INSTALLATION

CAUTION: DISCONNECT ORGAN POWER BEFORE PROCEEDING!

1. Remove the back panel from the organ.
2. Fasten the console connector to the bottom of the organ or to the shelf, in a location where all the wires can reach their intended destinations.

Echo Switch

3. Attach the echo switch to the under side of the lower manual; wood screws are provided.
4. Route the control cable through the keyboard shelf and into the amplifier section of the organ. If no opening is available, drill a 1-inch-diameter hole in the shelf to permit the plug and cable to pass through.
5. Connect the echo switch plug to the ECHO SW socket on the console connector.

Internal Connections

NOTE: Due to variations in the models, wire colors within the organ may differ from those mentioned in these instructions. If so, use the function of the terminal as your guide during installation.

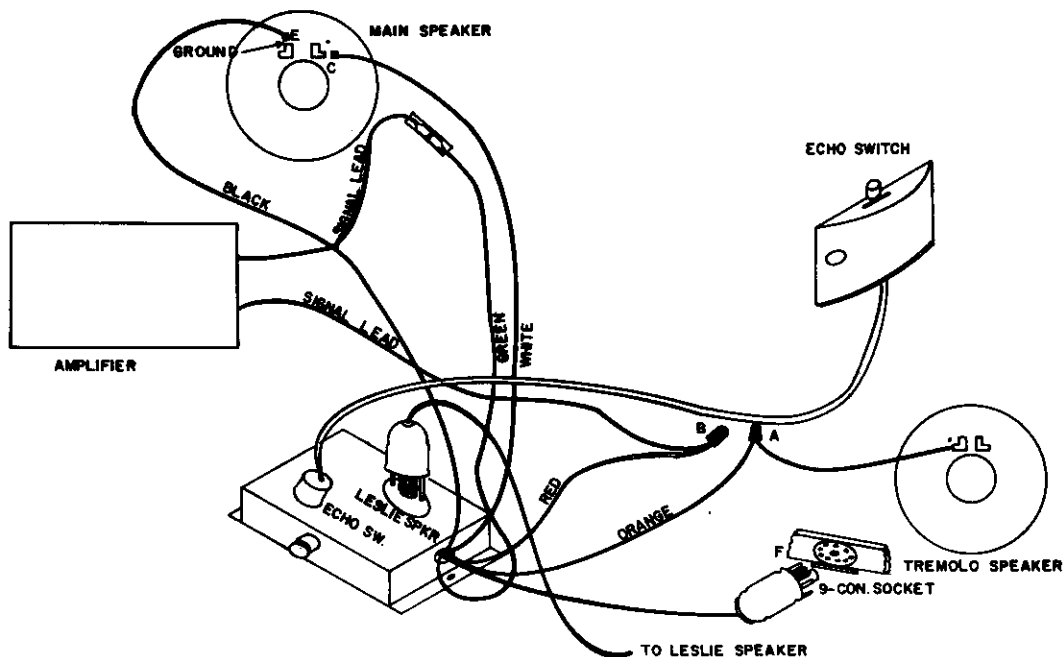
6. Cut the signal lead to the tremolo speaker. (A, figure 1) Leave a workable length of wire (4 - 6 inches) on each side.

7. Using a wire nut, connect the red console connector wire to the end of the wire (just cut) which goes to the amplifier. (B)
8. Using a wire nut, connect the orange console connector wire to the red wire left attached to the signal terminal of the tremolo speaker (A).
9. Disconnect the green wire from the signal terminal on the main organ speaker (dotted terminal). (C)
10. Connect the green console connector wire to the detached green wire. Slip plastic sleeving over the connection. (D)
11. Attach the white console connector wire to the main speaker signal terminal just vacated. (C)
12. Connect the black console connector wire to the vacant ground terminal of the main speaker. (E)
13. Insert the 9-pin plug of the console connector into the 9-contact socket on the organ amplifier. (F) In most cases this plug is labeled as being for the LESLIE speaker.
14. Staple the orange and red wires in place.

Additional Instructions

15. Connect the cable which comes in the kit between the LESLIE speaker and the LESLIE SPKR socket on the console connector.
16. Adjust the volume controls of the LESLIE speaker according to the instructions in the manual or on the back of the speaker. Be sure to observe cautions and warnings.
17. Replace the back panel on the organ.

Installation is now complete.



Ordering Parts

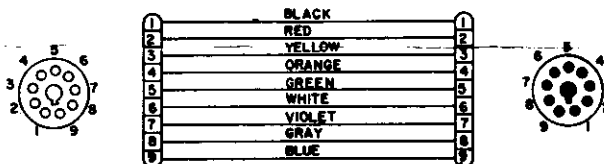
Standard hardware, connectors, and electronic components should be purchased locally. Non-standard items may be obtained through a LESLIE speaker dealer. Orders should include part numbers as listed.

PARTS LIST: 126620 CONSOLE CONNECTOR ASSEMBLY

Cable and Plug Assembly, console connector, 9-pin	126640
Plug, 9-pin	024653
Socket, With Mounting, 9-contact (S2)	061713
Socket, With Mounting, 7-contact (S1)	029306
Resistor, wire-wound, 16-ohm 10W 10% (R2, R3)	029363
Resistor, 27-ohm 1/2W 10% (R1)	021253
Fuseholder	055178
Fuse, 5-amp 250V (FZ1)	029280
Terminal Strip, 2-lug	129500
Bushing, strain relief	029256
Connector, tab, male	029371
Connector, tab, female	029389
Screw, sheet metal, 12 x 3/8	029314
Stud, Trimount	012690

PARTS LIST: 021600 CABLE ASSEMBLY

Plug Assembly, 9-pin	061879
Socket, 9-contact	028837
Cap Body, right	130000
Cap Body, left	130010
Screw, sheet metal, 4 x 1/2, hex washer head	136360



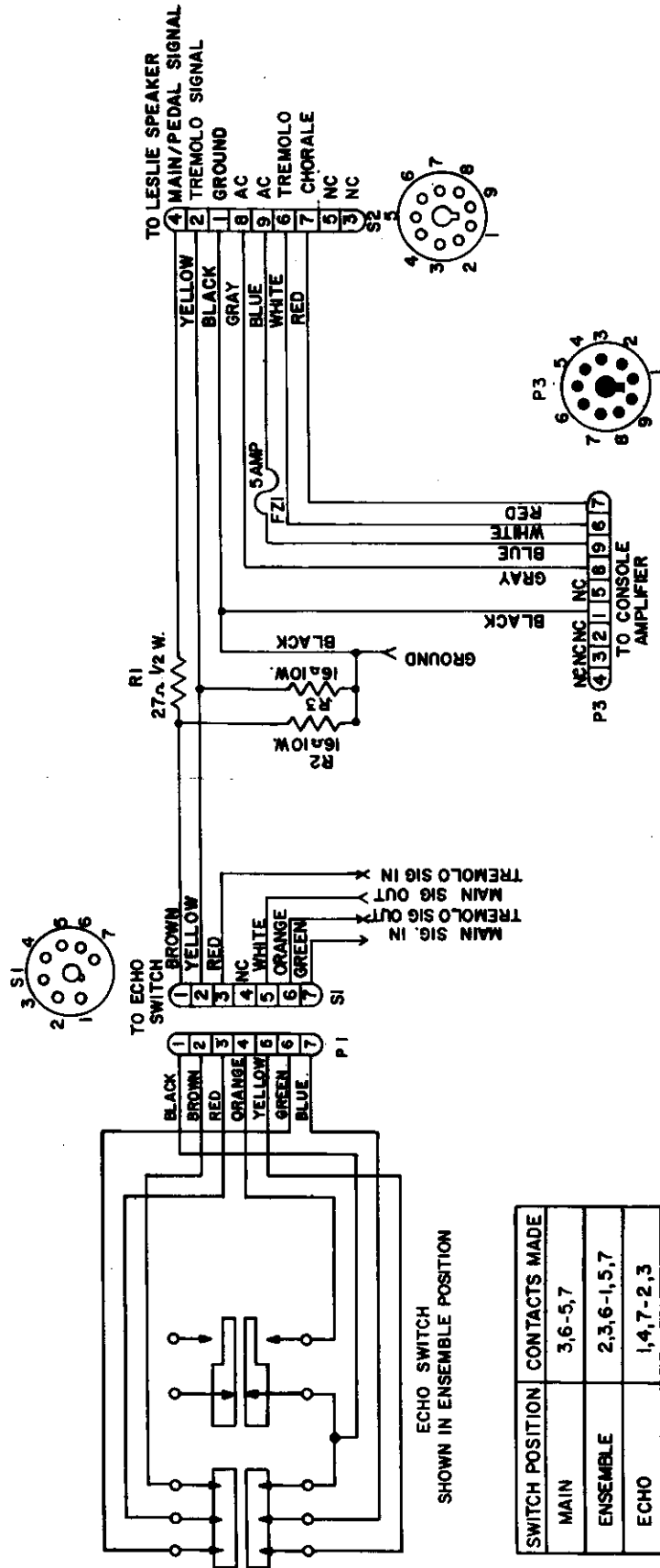
(Plug and socket viewed from wire end)

PARTS LIST: ECHO CONTROL

Switch Case		Switch, Cable & Plug Assembly	029249
brown	103810		
ebony	103820		
ivory	103830	Switch Retainer (2)	048116
Case Cover		Screw, thread-cutting, 6-32 x 3/8	029140
brown	048702		
ebony	048710		
ivory	048728	Label, MAIN/ENSEMBLE/ECHO	103670
Switch Knob		Cork, Adhesive	029157
brown	048066		
ebony	048074		

MULTIPLE SPEAKER INSTALLATION

For complete information see the service manual for the LESLIE speaker to be added.

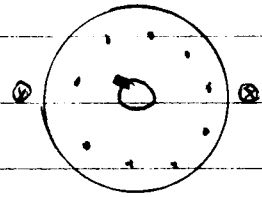


Schematic, Console Connector 126620 and Control

(Plugs and sockets viewed from wire end)

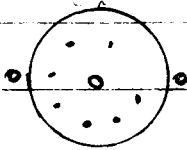
LESLIE CONNECTOR 126620

126620



TO ECHO SW

TO LESLIE SPKR.



TOP VIEW



These Wires go to Organ Speakers

