

LESLIE 8010 CONSOLE CONNECTOR KIT

FOR HAMMOND ORGANS

M-100

122, 222, 122RV, 142, 222, 222RV

L-100 SERIES

122, 142, 222

M-1, 2, 3

122, 122V, 122RV, 222, 222RV, 142

CONTENTS OF KIT:

1 Console Connector	038208	1 Tremolo Control
1 Console Adapter	042770	brown 042168
1 6-Conductor Cable	017277	ebony 042176
1 Instructions	034587	ivory 042184
6 Insulated Staples	028464	
1 Oiler	052035	1 Echo Control
2 Screw, 8 x 1/2	029132	brown 042200
4 Screw, 6 x 1/2	029124	ebony 042218
1 Tab Connector Male	029371	ivory 042226
2 Tab Connector Female	029389	
1 Wire Nut	028076	

TO INSTALL THE KIT:

1. Mount the Echo and Tremolo control switches to the wooden rail in front of the lower manual using the wood screws provided.
2. Route the control cables under the lower manual, through the keyboard shelf, and into the amplifier section of the console. If no opening is provided, drill a 1" hole in the keyboard shelf just under the lower manual.
3. Mount the console connector chassis inside the console within reach of the adapter and control cables, using the wood screws provided.
4. Plug the Echo and Tremolo control cables into the proper sockets on the connector chassis.
5. Plug the Leslie Speaker cable into the socket on the connector chassis.
6. Plug the 6-CKT adapter plug into the 6-CKT socket on the connector chassis.
7. Connect the BLUE and GRAY adapter wires to the SWITCHED 117 VAC terminals on the console amplifier.

M1, M2:

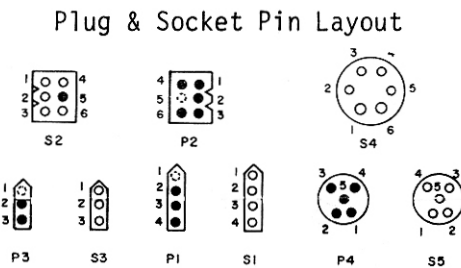
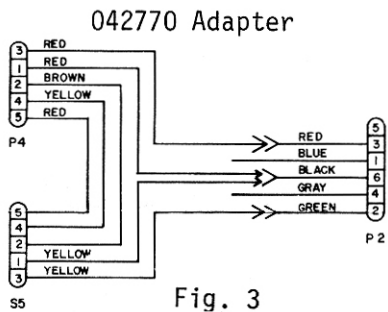
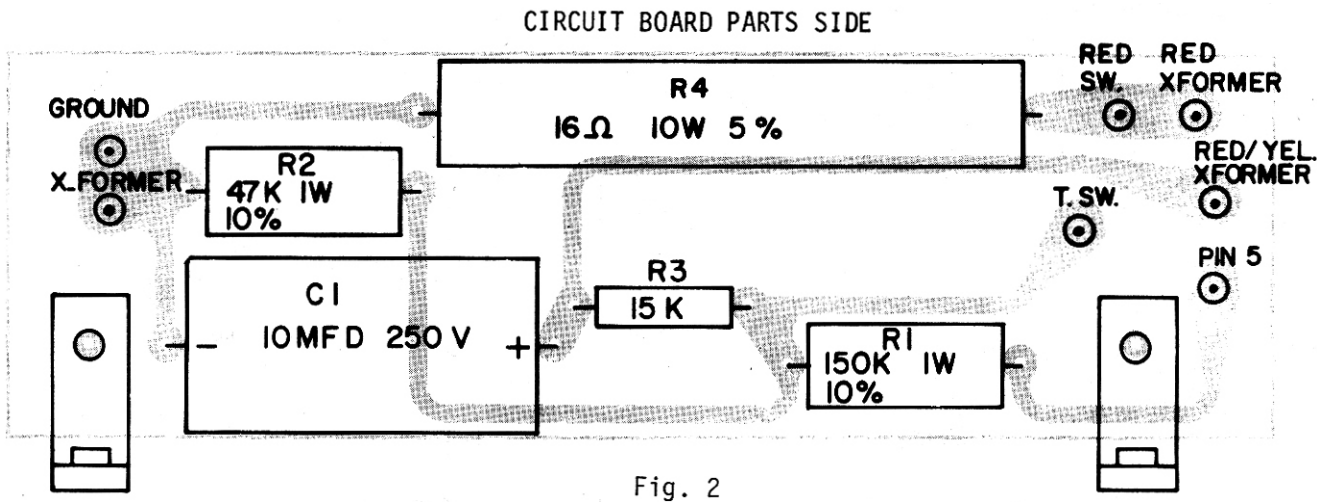
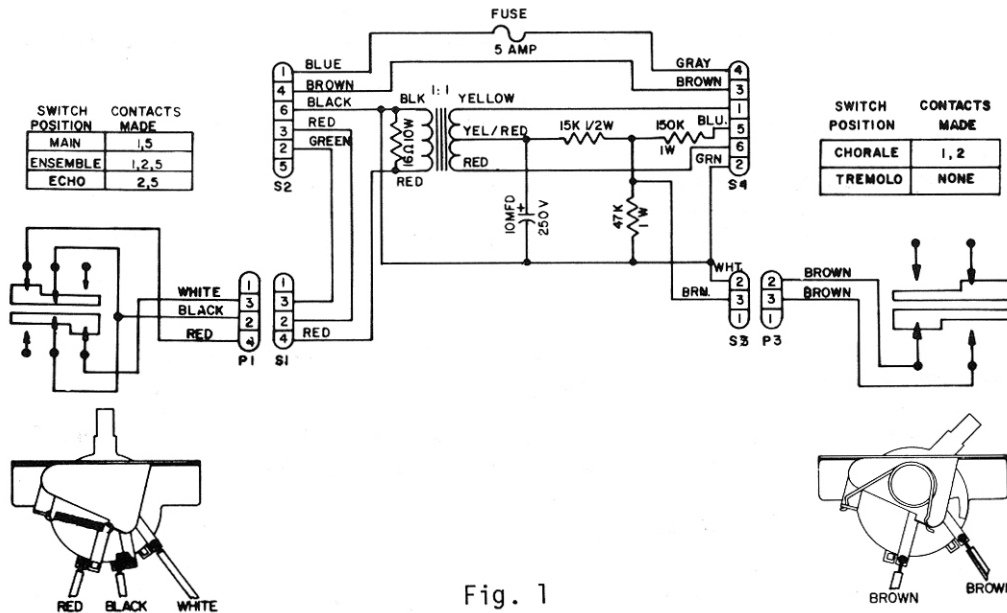
- A) Remove the 5-pin plug and socket assembly from the adapter. It is not used in this installation.
- B) Remove the GREEN speaker wire from the "OUTPUT" terminal on the console amplifier and connect it to the screw terminal on the GREEN adapter wire.
- C) Connect the RED adapter wire to the speaker "OUTPUT" terminal on the console amplifier.
- D) Connect the BLACK adapter wire to the speaker "OUTPUT" terminal to which the BLACK speaker wire is connected. DO NOT REMOVE THE BLACK WIRE ATTACHED.
- E) Adjust the volume as outlined in the Leslie Service manual.

M3:

- A) Remove the 5-pin "SPEAKER" plug from the console amplifier and plug it into the 5-contact adapter socket.
- B) Insert the 5-pin adapter plug into the "SPEAKER" socket on the console amplifier.
- C) Adjust the volume as outlined in the Leslie Service Manual.

L-100, M-100:

- A) Cut the wires connecting the 5-pin plug and socket assembly to the adapter at a point just behind the screw terminals. It is not used in this installation.
- B) Strip the wires 1/4 inch and solder the tab connectors provided to the wires as follows: RED - Male; BLACK - Female; GREEN - Female.
- C) Remove the GREEN wire from the "SIGNAL" terminal on the console speaker and connect it to the RED adapter wire. Insulate with plastic sleeve provided. NOTE: On some models both a RED and GREEN wire are connected to this terminal. If this is the case, remove the tab connectors from the RED and GREEN speaker wires and the RED adapter wire. Strip 1/4 inch and connect all three using the wire nut provided.
- D) Connect the GREEN adapter wire to the "SIGNAL" terminal on the console speaker.
- E) Connect the BLACK adapter wire to the extra tab on the "GROUND" terminal on the console speaker. DO NOT REMOVE THE BLACK WIRE ATTACHED.
- F) Adjust the volume as outlined in the Leslie Service Manual.



PARTS LIST

CONSOLE CONNECTOR

Chassis	041921
T1	048025
C1	018093
R1	024117
R2	018457
R3	048157
R4	022343
S1	042093
S2	042119
S3	042077
Insert	023556
Circuit Assy	039032
Fuseholder	055178
Fuse	029280

CONSOLE ADAPTER

P2	023259
P2 Insert	023309
P4	021238
S5	033670
S5 Cap	029231

ECHO CONTROL

Echo Switch Case	
brown	029199
ebony	029207
ivory	029215
Switch Case Cover	
brown	048702
ebony	048710
ivory	048728
Switch Knob	
brown	048066
ebony	048074
Switch Retainer (2)	048116
Switch Only	029629
4-ckt Plug	042101
Insert	023309

TREMOLO CONTROL

Tremolo Switch Case	
brown	012260
ebony	012278
ivory	012286
Switch Case Cover	
brown	048702
ebony	048710
ivory	048728
Switch Knob	
brown	048066
ebony	048074
Switch Retainer (2)	048108
Switch Only	042911
3-ckt Plug	042085
Insert	023309

ORDERING PARTS:

Standard hardware, connectors, and electronic components should be purchased locally. Non-standard items may be obtained through a Leslie speaker dealer. Orders should include part numbers shown above.