

LESLIE® CONSOLE CONNECTOR KIT 8002

INSTALLATION INSTRUCTIONS

FOR USE WITH: HAMMOND Models C2, C3
LESLIE Speakers: 122, 122V, 122RV, 142, 222, 222RV

MULTIPLE SPEAKER INSTALLATION: For complete information, see the service manual of the specific model LESLIE Speaker to be added.

CONTENTS OF KIT:

1 Console Connector	047357	1 Tremolo Control
1 Extension	047373	
1 6 Conductor Cable	017277	015594 brown
1 Instructions	047480	015602 ebony
4 Insulated Staples	028464	015610 ivory
1 Oiler	053025	
2 Screws, 8 x ½	029132	
2 Screws, 6 x ½	029124	
2 Wire Nuts	028076	
2 Screws, 8 x ½, Bronzed	042408	

TO INSTALL THE KIT:

1. Mount the Tremolo control switch to the wooden rail in front of the lower manual. Use the black oxide screws provided in the hardware kit.
 2. Route the Tremolo control cable under the lower manual, through the keyboard shelf, and into the amplifier section of the HAMMOND. Fasten with staples provided.
 3. Mount the console connector chassis inside the organ to the left of the HAMMOND pre-amplifier. Locate it within reach of the HAMMOND down tube (see Fig. 1), preamplifier, and Tremolo control cable. Use cadmium plated screws provided.
 4. Connect the wires from the Tremolo control cable to the AC type wires attached to the console connector. Use wire nuts provided. (See "A" on Fig. 1)
 5. Locate the down tube atop the HAMMOND junction box and remove its screws and locking clamp. (See "B" on Fig. 1) Slide tube up about 3 inches to make room for the console connector extension.
 6. Guide the existing HAMMOND wires through the opening in the extension chassis. (See "C" on Fig. 2)
 7. Drop a pull string through the down tube and tie it to the extension cable plug. (See "D" on Figs. 1 & 2)
 8. Pull the extension cable up the tube and insert it into its socket on the console connector chassis. (See "E" on Fig. 1)
 9. Fit the down tube into the extension chassis. Then mount the extension chassis to the HAMMOND with the BRONZED wood screws provided. (See Fig. 2)
 10. Connect BLUE and GREY console connector wires to the 117 VAC terminals behind the protective cover on the HAMMOND preamplifier. (See "F" on Fig. 1)
 11. Connect BROWN console connector wire to the "GND" terminal on the HAMMOND pre-amplifier. (See "G" on Fig. 1)
 12. Remove RED and BLACK wires from the two "G" terminals on the HAMMOND preamplifier. Connect these wires to the two screw terminals on the console connector chassis. (See "H" on Fig. 1)
 13. Connect RED and BLACK console connector wires to the two "G" terminals on the HAMMOND preamplifier. (See "I" on Fig. 1)
- NOTE:** Terminals in steps 10-13 may be solder-type terminals. If so, remove spade lugs from the console connector wires and solder wires in place.
14. Plug the Leslie Speaker cable into its socket on the console connector extension chassis. (See Fig. 2)
 15. Adjust speaker volume as outlined on the speaker back card or in the LESLIE service manual. Installation is now complete.
- NOTE:** Disregard the shielded cable containing an ORANGE, BLUE, BROWN, and YELLOW wire which protrudes from the console connector chassis. It is not used in this application.

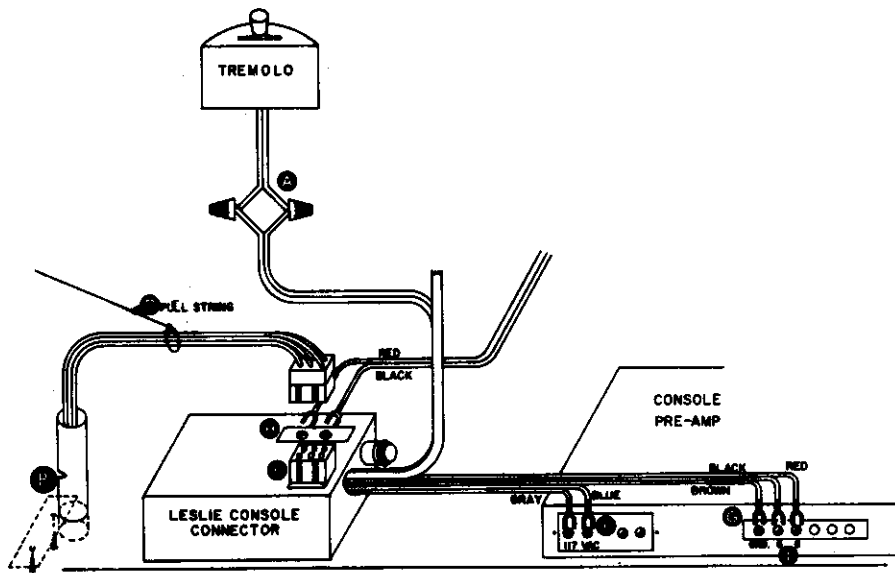


Fig. 1

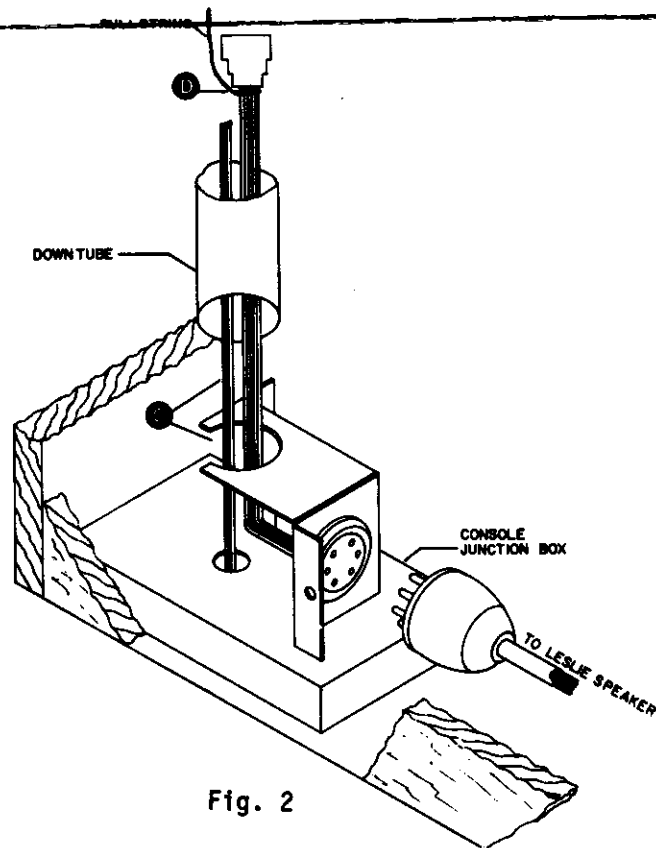


Fig. 2

047373 EXTENSION CABLE

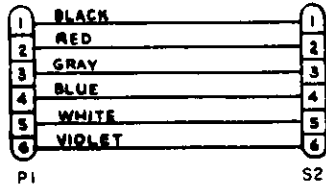


Fig. 3

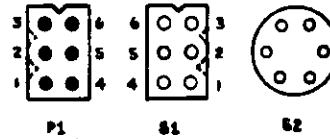


Fig. 4

PARTS LIST: PLUGS AND SOCKETS

P1	Housing, Plug, 6 Pin Molex	023259
P1	Male Insert	023309
S1	Housing, Socket, 6 Contact	042119
S1	Female Insert	023556
S2	Socket, 6 Contact	029546

047506 Circuit Board Assembly

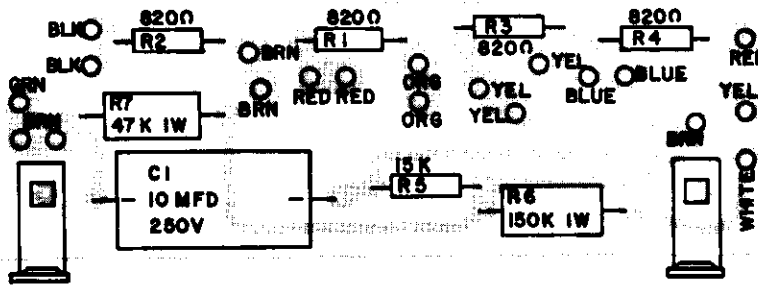


Fig. 5

CIRCUIT BOARD ASSEMBLY
PARTS LIST

Part No.	Description	EMI No.
-	Circuit Board, w/o Assembly	044198
C1	Capacitor, 10 Mfd, 250 Volts	018093
R1,R2,R3,R4	Resistor, 820 Ohm, 1/2 Watt, 10%	028373
R5	Resistor, 15K Ohm, 1/2 Watt, 10%	048157
R6	Resistor, 150K Ohm, 1 Watt, 10%	024117
R7	Resistor, 47K Ohm, 1 Watt, 10%	018457

Console Connector Schematic

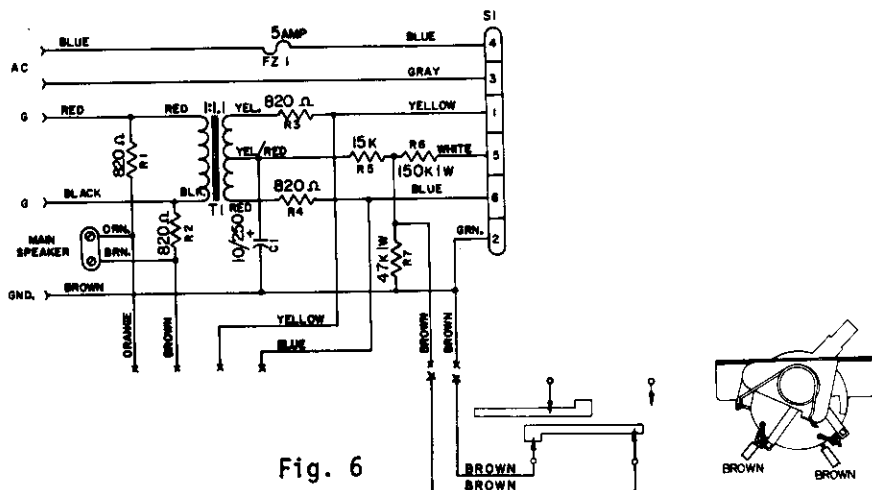


Fig. 6

PARTS LIST: TREMOLO CONTROL

Tremolo Switch Case		Switch Knobs	
012260	brown	048066	brown
012278	ebony	048074	ebony
012286	ivory		
Switch Case Cover		Switch Retainer (2)	048108
048702	brown	Switch Only	042911
048710	ebony		
048728	ivory		

ORDERING PARTS:

Standard hardware, connectors, and electronic components should be purchased locally. Non-standard items may be obtained through a Leslie speaker dealer. Orders should include part numbers shown above.