

LESLIE 7716 CONSOLE CONNECTOR KIT FOR KIMBALL CONSOLES

The Leslie 7716 Console Connector Kit connects Kimball consoles to a single Leslie speaker. The kit includes a console connector, a Tremolo control switch, and an Echo control to allow the organist to play through the console speakers, through the Leslie, or through both. It also contains all the hardware necessary for this installation.

CONTENTS OF KIT:

1 Console Connector	012617	1 Tremolo Control
1 Console Adapter	027169	012625 brown
1 6 Conductor Cable	017277	012633 ebony
1 Instructions	036491	012641 ivory
5 Insulated Staples	028464	
1 Oiler	053025	1 Echo Control
2 Screw, 8 X 1/2	029132	029397 brown
4 Screw, 6 X 1/2	029124	029405 ebony
		029413 ivory

TO INSTALL THE KIT:

1. Mount the Echo and Tremolo control switches to the wooden rail in front of the lower manual using the wood screws provided.
2. Route the control cables under the lower manual, through the keyboard shelf, and into the amplifier section of the console. If no opening is provided, drill a 7/8" hole in the keyboard shelf just under the lower manual.
3. Mount the console connector chassis inside the console within reach of the adapter and control cables, using the wood screws provided.
4. Plug the Echo and Tremolo control cables into the proper sockets on the connector chassis.
5. Unplug the cable from the socket marked "LESLIE" on the console amplifier and plug it into the adapter socket (See "A" on Fig. 1).
6. Plug the adapter into the socket marked "LESLIE" on the console amplifier. (See "A" on Fig. 1).
7. Fit the 5-pin adapter socket marked "CONSOLE" on the connector chassis.
8. Plug the Leslie speaker cable into the socket marked "LESLIE" on the connector chassis.
9. Follow the load resistor setting instructions for the "8 OHM" position as outlined in the Leslie service manual.

10. Adjust the volume as outlined in the Leslie service manual. The installation is now complete.

Control Switch Parts List:

Echo Control

- Echo Switch Case
 - 029199 brown
 - 029207 ebony
 - 029215 ivory
- Switch Case Cover
 - 048702 brown
 - 048710 ebony
 - 048728 ivory
- Switch Knob
 - 048066 brown
 - 048074 ebony

Tremolo Control

- Tremolo Switch Case
 - 012260 brown
 - 012278 ebony
 - 012286 ivory
- Switch Case Cover
 - 048702 brown
 - 048710 ebony
 - 048728 ivory
- Switch Knob
 - 048066 brown
 - 048074 ebony

- Switch Retainer (2 req'd) 048116
- Switch Only 029629
- 5-Pin Plug 021238

- Switch Retainer (2 req'd) 048108
- Switch Only 042911
- 2-Pin Plug 029165

Ordering Parts:

Standard hardware, connectors, and electronic components should be purchased locally. Non-standard items may be obtained through a Leslie speaker dealer, or from Electro Music. Orders should include part numbers, as shown above.

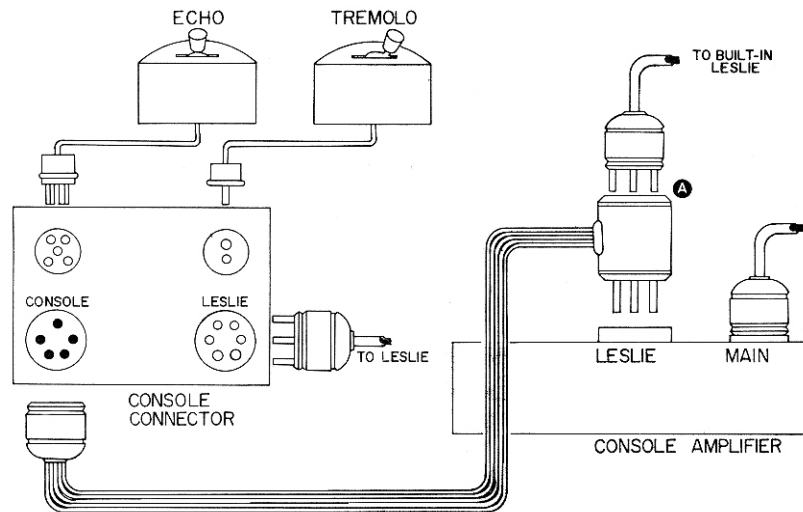


Fig. 1

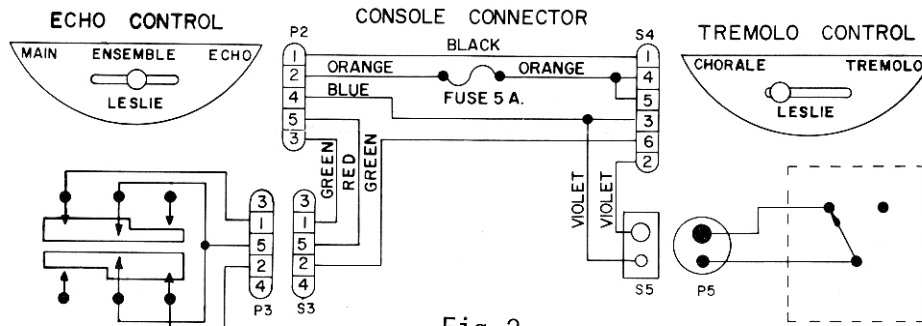


Fig. 2

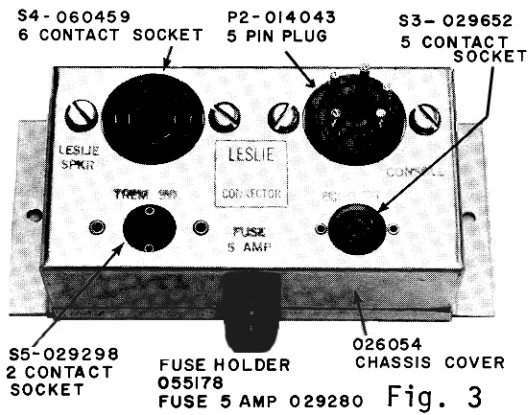


Fig. 3

012617 CONSOLE CONNECTOR

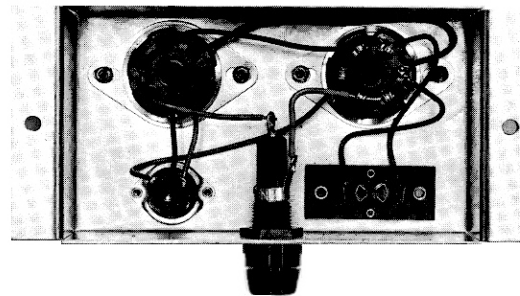


Fig. 4

027169 Console Adapter

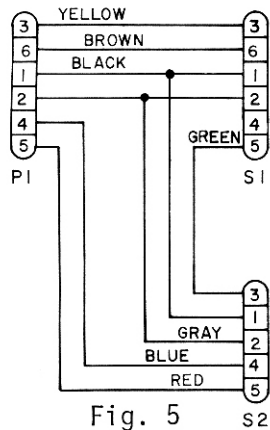


Fig. 5

PLUG & SOCKET PIN LAYOUT

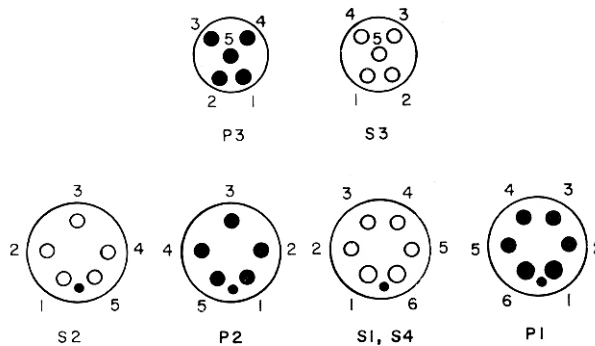


Fig. 6