



CONSOLE CONNECTOR KIT 7675

INSTALLATION INSTRUCTIONS

FOR USE WITH: LESLIE Speaker Model 700
WURLITZER Organ Models 4030, 4035, 4037

When properly installed, this kit channels main and tibia signal to the model 700 speaker. Signal from the uppermost keyboard will not sound through the model 700. If you desire to channel this keyboard through a LESLIE speaker, a model 900 speaker with Console Connector Kit 9037 may be added. Another possible combination would be the model 825 speaker with Console Connector Kit 9537. There is sufficient space to mount two console connector chassis within the tone generator compartment of the Wurlitzer Organ Model 4037.

KIT CONTENTS

Console Connector Assembly	066928
Cable Assembly, 9-conductor, 30 ft.	021600
Switch Assembly, tremolo	
brown	066860
ebony	066878
ivory	066886
Switch Assembly, echo (2)	
brown	068429
ebony	068437
ivory	068445
Block, switch mounting (3)	066498
Screw, wood, #6 x 3/4, Phillips head, black oxide (6)	032086
Screw, sheet metal, #8 x 1/2, Phillips head (3)	029132
Staple, insulated (16)	028464
Plug, 3-way, 117-V	029611
Oiler	053025
Installation Instructions	066910

CAUTION: Due to the presence of electrical potential and the danger of moving mechanical parts, installation procedures or adjustments requiring work inside the LESLIE speaker cabinet or the organ console should be performed only by a service man authorized by the dealer or factory to perform such work.

INSTALLATION

CAUTION: DISCONNECT ORGAN POWER BEFORE PROCEEDING!

1. Open the hinged back supporting the tone generator. Remove the top panel to expose the amplifier section of the organ.
2. Mount the console connector on the under side of the shelf within the tone generator compartment. Use the sheet metal screws supplied in the hardware kit.

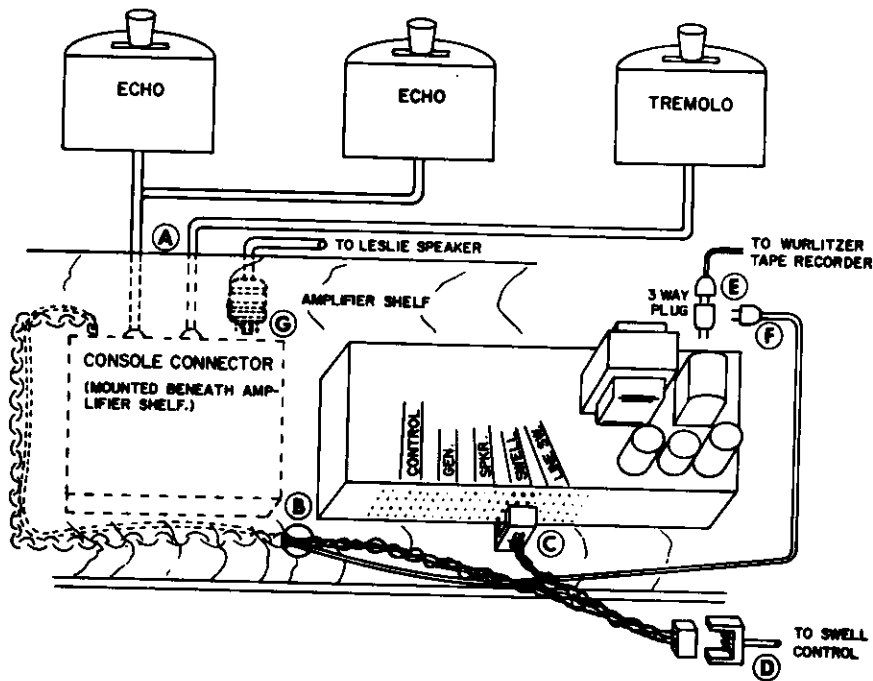


Figure 1. Interconnections

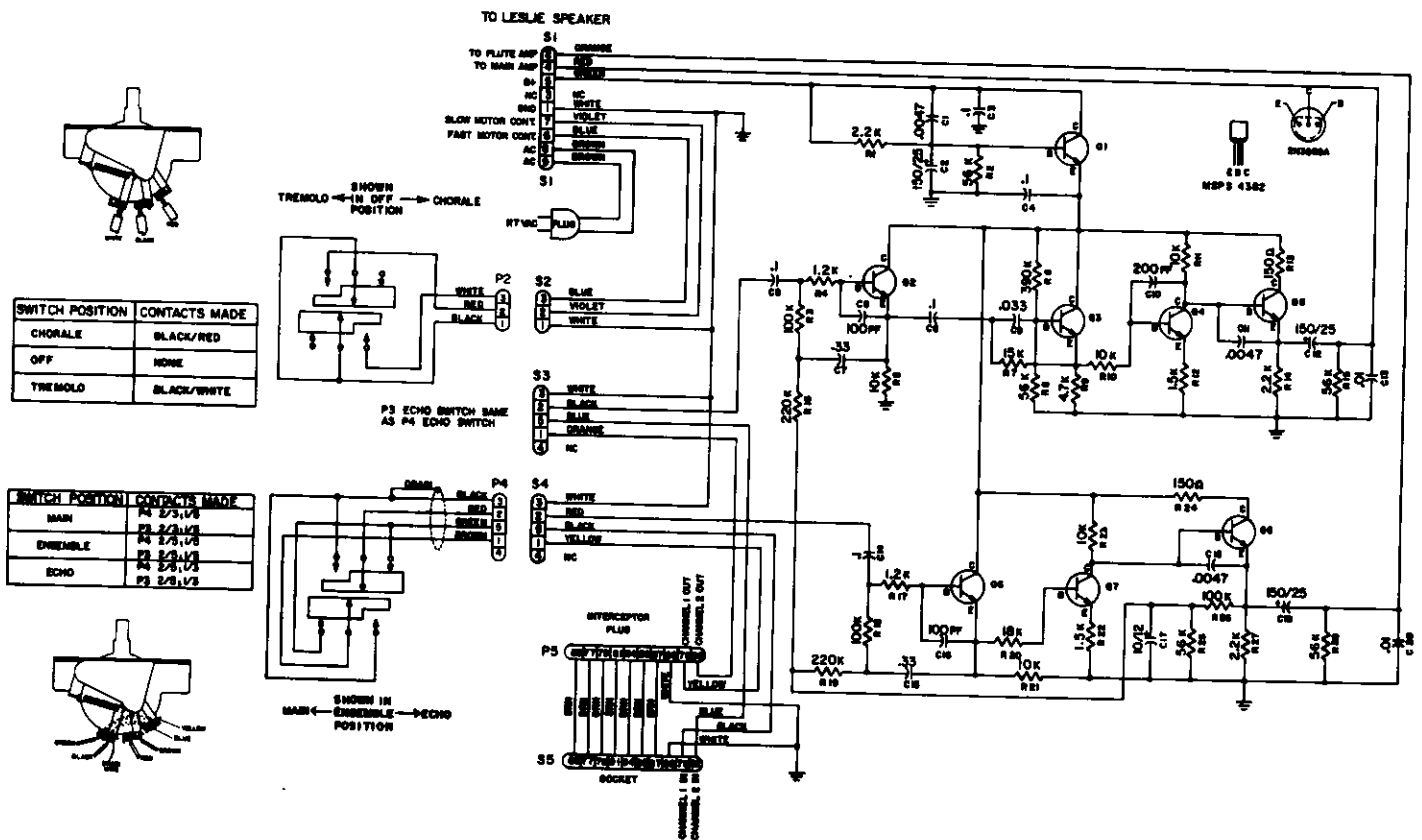


Figure 2. Schematic, Console Connector Assembly 066928, with Control

3. Mount the echo and tremolo controls to wooden rail in front of the lower manual. Use the wooden mounting blocks from the hardware kit as spacers. Insert two black oxide screws first through the switch case; then the mounting block. Fasten the switch case and block beneath the lower manual.
4. Route the tremolo and echo control cables under lower manual, through the keyboard shelf, and into the tone generator compartment. If no opening is provided drill a 7/8" hole in the keyboard shelf just beneath the lower manual.
5. Insert the echo and tremolo control plugs into matching console connector sockets. (See "A" on Fig. 1.) Echo plugs are interchangeable and may be inserted into either of the five-contact sockets.
6. Run the console connector SWELL interceptor through the access hole in the main/tibia amplifier shelf. (See "B" on Fig. 1.)
7. Detach the Molex SWELL plug from the SWELL socket on the main/tibia amplifier. (See "C" on Fig. 1.)

NOTE: Wurlitzer 4037 Installations Only: The amplifier to be intercepted is mounted beneath the synthesizer (3rd Manual) amplifier. The synthesizer amplifier can be removed by detaching the 5/16" mounting screws at either end of the amplifier support frame. This bracketed frame may then be swung upward to gain access to the main/tibia amplifier. Replace the synthesizer amplifier after completing step 12.

8. Insert the plug end of the console connector interceptor into the vacated SWELL socket. (See "C" on Fig. 1.)
CAUTION: Be very careful to align the pins with the proper contacts. There should be one row of vacant contacts on either side of the console connector interceptor plug. If you encounter difficulty, see the pin and contact numbers of P5 and S5 on the kit schematic. They correspond to the similarly numbered SWELL plug and socket on the Wurlitzer power amplifier schematic.
9. Insert the Wurlitzer SWELL plug into the socket end of the console connector interceptor. (See "D" on Fig. 1.)
10. Pass the console connector AC plug through the access hole in the Wurlitzer amplifier shelf. (See "B" on Fig. 1.)
11. Disconnect the tape recorder power plug from its main/tibia amplifier socket. Insert it into the 3-way plug provided. (See "E" on Fig. 1.)
12. Insert the console connect AC plug into one of the vacant sockets on the 3-way plug. (See "F" on Fig. 1.) Insert the 3-way plug into the AC socket on the main/tibia amplifier.
13. Connect the 9-conductor cable supplied in the kit to the LESLIE SPEAKER socket on the console connector. (See "G" on Fig. 1.)
14. Connect the other end of the cable to the 9-pin plug at the rear of the Model 700 speaker. Close the back of the Wurlitzer organ. Installation is complete.

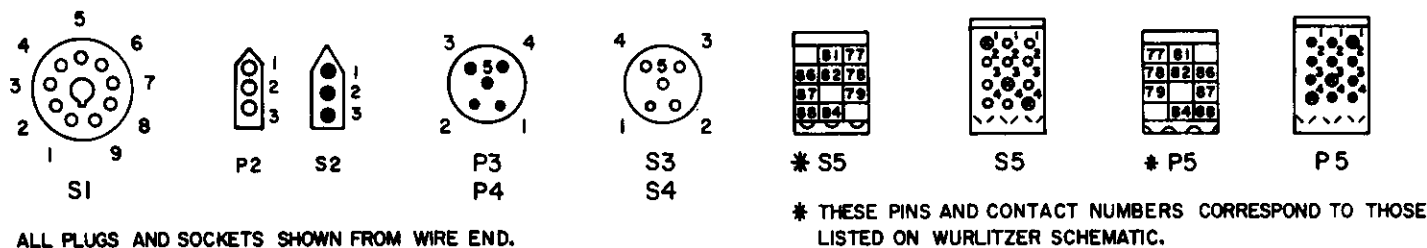


Figure 3. Plug and Socket Base Diagram

Ordering Parts

Standard hardware, connectors, and electronic components should be purchased locally. Non-standard items may be obtained through a LESLIE speaker dealer. Orders should include part numbers as listed.

PARTS LIST: CONSOLE CONNECTOR ASSEMBLY 066928

Circuit Board Assembly	066936
Screw, machine, 8-32 x 5/8	026286
Bushing, .193 x .312 x .125 (4)	013656
Lockwasher, #8 x 5/16 x .020	026765
Washer, flat, #8 x 3/8 x 1/32	037325
Nut, hex, 8-32 x 11/32 x 1/8	026773
Socket, 9-contact, with mounting (S1)	061713
Screw, machine, #12 x 3/8	029314
Phillips head	
Housing, socket, 3-circuit, white (S2)	042077
Insert, contact, female	023556
Socket, 5-contact, with mounting (S3, S4)	029652
Grommet	013235
Interceptor Assembly	066365
Housing, plug, 12-circuit, Molex (P5)	065607
Housing, socket, 12-circuit, Molex (S5)	065615
Insert, contact, male	065599
Insert, contact, female	065581

PARTS LIST: TREMOLO CONTROL

Switch Case		Switch, cable, and plug assembly	043315
brown	103810	ivory only	066894
ebony	103820		
ivory	046995	Switch Retainer (2)	048116
Case Cover		Screw, thread-cutting,	029140
brown	048702	6-32 x 3/8	
ebony	048710	Label, CHORALE/OFF/TREM	103650
ivory	048728		
Switch Knob		Cork, adhesive, 11/16 x 3	029157
brown	048066		
ebony	048704		

PARTS LIST: ECHO CONTROL

Switch Case				
	brown	103810	Switch, cable, and plug assembly	039412
	ebony	103820		
	ivory	029470	Switch Retainer (2)	048116
Case Cover			Screw, thread-cutting, 6-32 x 3	029140
	brown	048702		
	ebony	048710	Label, MAIN/ENS/ECHO	103670
	ivory	048728		
Switch Knob			Cork, adhesive, 11/16 x 3	029157
	brown	048066		
	ebony	048074		

MULTIPLE SPEAKER INSTALLATION

For complete information see the service manual for the LESLIE speaker to be added.

Wiring List

<u>From</u>	<u>To</u>	<u>Color</u>
S1-1	CB*	white
S1-1	S2-1	white
S1-2	CB*	orange
S1-3	-NC-	
S1-4	CB*	red
S1-5	CB*	green
S1-6	S2-3	blue
S1-7	S2-2	violet
S1-8	AC (wall plug)	brown
S1-9	AC (wall plug)	brown
S2-1	S3-3	white
S3-1	P5-82	orange
S3-2	CB*	black
S3-3	S4-3	white
S3-5	S5-82	blue
S4-1	P5-78	yellow
S4-2	CB*	red
S4-5	S5-78	black
P5-88	CB* (ground)	white
S5-88	CB* (ground)	white

* See Figure 4 , Circuit Board Assembly 066936

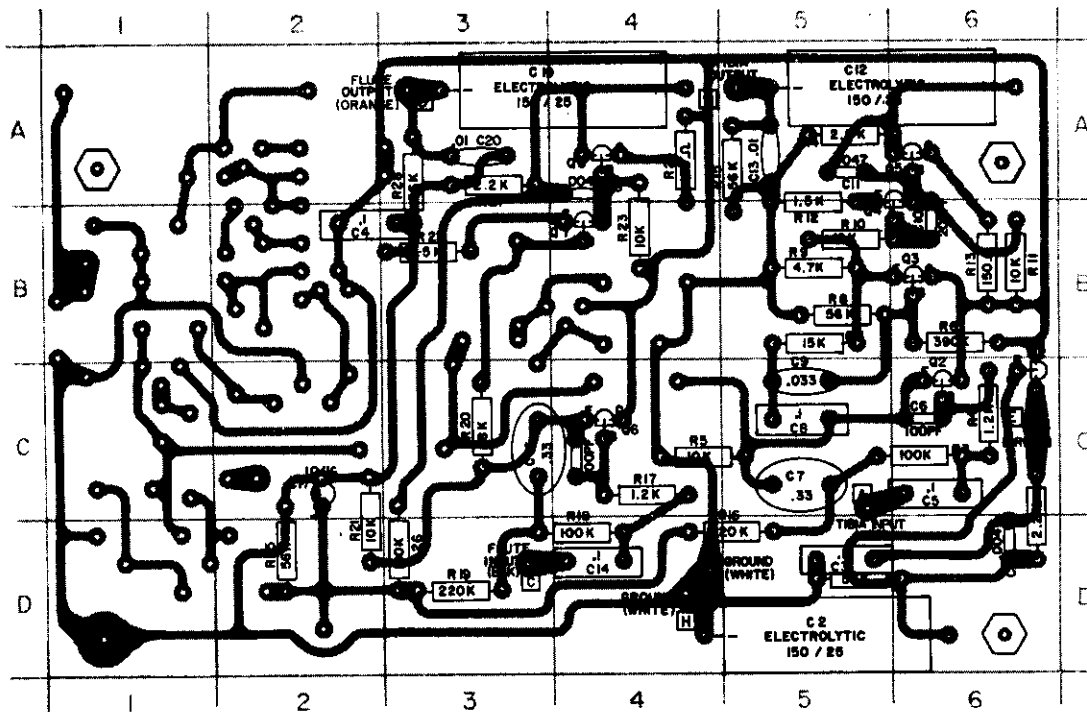


Figure 4. Circuit Board Assembly 066936

TRANSISTORS				RESISTORS*			
PART	LOCATION	DESCRIPTION	PART NO.	PART	LOCATION	VALUE	PART NO.
Q1	C-6	2N3859A	061366	R1	D-6	2.2K	028571
Q2	C-6	MSPS 4382	026237	R2	D-5	56K	024133
Q3	B-6	MSPS 4382	026237	R3	C-6	100K	028498
Q4	B-5	MSPS 4382	026237	R4	C-6	1.2K	018036
Q5	A-6	MSPS 4382 - 2N2925	026237	R5	C-4	10K	028548
Q6	C-4	MSPS 4382 - HEP-725	026237	R6	B-6	390K	018010
Q7	B-4	MSPS 4382	026237	R7	B-5	15K	048157
Q8	A-4	MSPS 4382	026237	R8	B-5	56K	024133
CAPACITORS				R9	B-5	4.7K	028555
C1	D-6	disk, .0047MFD, 100V	028431	R10	B-5	10K	028548
C2	D-5	elect., 150MFD, 25V	031294	R11	B-6	10K	028548
C3	D-5	polyester, .1MFD, 200V	022251	R12	B-5	1.5K	022277
C4	B-2	polyester, .1MFD, 200V	022251	R13	B-6	150	024158
C5	C-6	polyester, .1MFD, 200V	022251	R14	A-5	2.2K	028571
C6	C-6	ceramic, 100 PF, 1KV	028027	R15	A-5	56K	024133
C7	C-5	mylar, .33MFD, 75V	028647	R16	D-5	220K 5%	020222
C8	C-5	polyester, .1MFD, 200V	022251	R17	C-4	1.2K	018036
C9	C-5	mylar, .033MFD, 100V	028654	R18	D-4	100K	028498
C10	B-6	disk, 200PF, 1KV	023622	R19	D-3	220K 5%	020222
C11	A-5	disk, .0047MFD, 100V	028431	R20	C-3	18K 5%	028472
C12	A-5	elect., 150MFD, 25V	031294	R21	D-2	10K	028548
C13	A-5	disk, .01MFD, 1KV	060467	R22	B-3	1.5K	022277
C14	D-4	polyester, .1MFD, 200V	022251	R23	B-4	10K	028548
C15	C-3	mylar, .33MFD, 75V	028647	R24	A-4	150	024158
C16	C-4	ceramic, 100PF, 1KV	028027	R25	D-2	56K	024133
C17	C-2	tantalum, 10MFD, 16V	041707	R26	D-3	100K	028498
C18	A-4	disk, .0047MFD, 100V	028431	R27	A-3	2.2K	028571
C19	A-4	elect., 150MFD, 25V	031294	R28	A-3	56K	024133
C20	A-3	disk, .01MFD, 1KV	060467				

* All resistors 1/2 watt, 10% unless noted otherwise.