



CONSOLE CONNECTOR KIT 7279

INSTALLATION INSTRUCTIONS

FOR USE WITH: All Single-channel Organs with Built-in Speakers
LESLIE Speaker Models 110, 120, 125, 145, 147, 147RV,
225, 247, 247RV

KIT CONTENTS

1 Console Connector	012617	1 Tremolo Control	
1 Console Adapter	027094	brown	012625
1 6-conductor Cable	017277	ebony	012633
1 Instructions	035758	ivory	012641
5 Insulated Staple	028464		
1 Oiler	053025	1 Echo Control	
2 Screw, 8 x 1/2	029132	brown	029397
4 Screw, 6 x 1/2,		ebony	029405
black oxide	029124	ivory	029413
5 Wire Nut	028076		

— CAUTION —

Due to the presence of electrical potential and the danger of moving mechanical parts, installation procedures or adjustments requiring work inside the LESLIE speaker cabinet or the organ console should be performed ONLY BY a service man authorized by the dealer or factory to perform such work.

INSTALLATION

CAUTION: DISCONNECT ORGAN POWER BEFORE PROCEEDING!

1. Mount the echo and tremolo control switches on the wooden rail in front of the lower manual, using the wood screws provided.
2. Route the control cables under the lower manual, through the keyboard shelf, and into the amplifier section of the console. If no opening is provided, drill a 7/8" hole in the keyboard shelf just under the lower manual.

NOTE: When drilling into the organ be sure to select a location where no internal components will be damaged.

3. Mount the console connector inside the organ in a position where all cables and connectors can reach their connection points.

800

4. Plug the echo and tremolo control cables into the ECHO SW and TREMOLO SW sockets, respectively, of the console connector (figure 1).
5. Connect the black wire from the console adapter to any ground point (A, figure 2) on the organ console amplifier.
6. Cut the signal lead to the organ speaker. (Do not cut the wire near the terminal; leave a workable length for the connection which is to be made.) Strip the end of the wire which is still connected to the speaker (1/4 to 3/8 inch) and connect this and the green wire from the console adapter together, using one of the wire nuts provided in the kit. (See B, figure 2.) It is not necessary to twist the wires together before inserting them in the wire nut; the nut joins the wires when it is turned.
7. Strip the end of the wire still attached to the organ console amplifier. Connect this and the red wire from the console adapter together, using a wire nut.
8. Locate a wire carrying switched 117-V AC inside the organ. Connect the blue and gray wires from the adapter, using wire nuts. The terminals of the power transformer may be used for this connection, if desired. Also, some organs may have a socket providing the switched AC. In this case a plug may be attached to the blue and gray wires, for convenient installation.
9. Fit the 5-pin adapter socket onto the CONSOLE plug on the connector chassis (figure 1).
10. Plug the cable from the LESLIE speaker into the socket marked LESLIE SPEAKER, on the connector chassis.
11. Follow the load resistor setting instructions as outlined in the LESLIE service manual.
12. Adjust the volume as outlined in the LESLIE service manual. The installation is now complete.

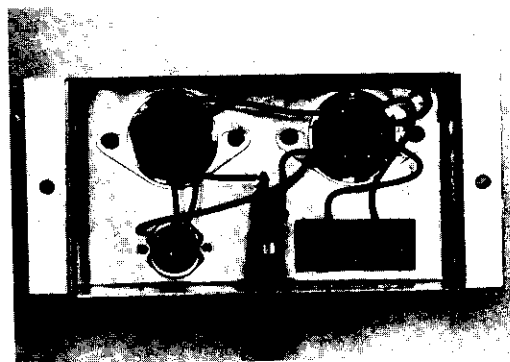
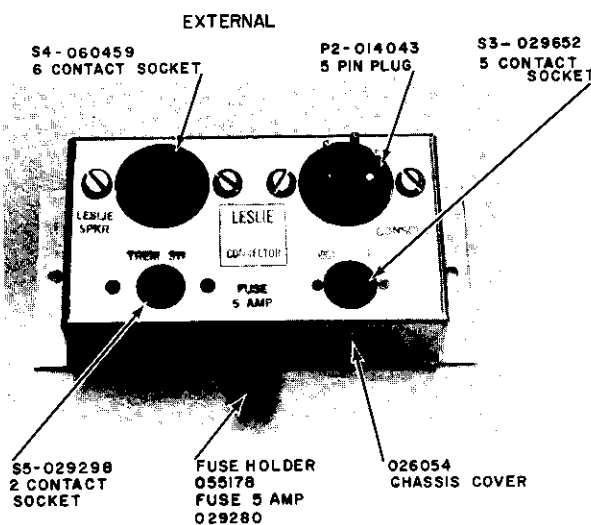


Figure 1. Console Connector 012617

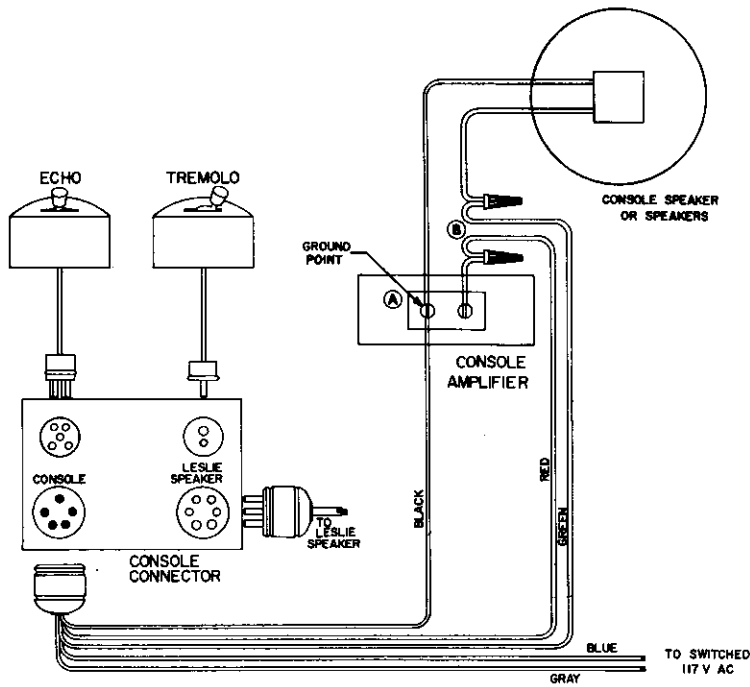
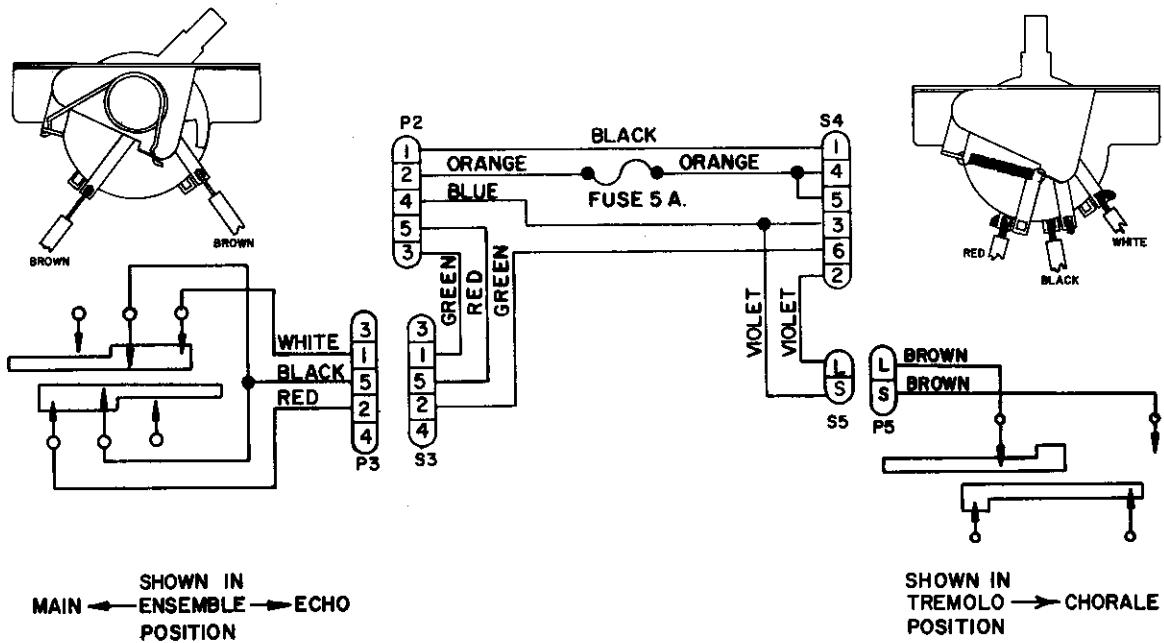


Figure 2. Interconnections



SHOWN IN
MAIN ← ENSEMBLE → ECHO
POSITION

SHOWN IN
TREMOLO → CHORALE
POSITION

SWITCH POSITION	CONTACTS MADE
ECHO	RED/BLACK
ENSEMBLE	RED/BLACK ; WHITE/BLACK
MAIN	WHITE/BLACK

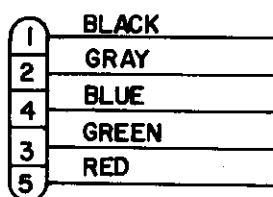
Figure 3. Wiring and Switches

Ordering Parts

Standard hardware, connectors, and electronic components should be purchased locally. Non-standard items may be obtained through a LESLIE speaker dealer. Orders should include part numbers listed.

PARTS LIST

CONSOLE CONNECTOR		CONSOLE ADAPTER	
Fuseholder	055178	Socket, 5-conductor (S1)	029264
Fuse, 5-amp	029280	Cap	013136
Chassis	012674		
Chassis Cover	026054		
Plug, 5-pin (P2)	025437		
Socket, 5-conductor (S3)	029652		
Socket, 6-conductor (S4)	060459		
Socket, 2-conductor (S5)	029298		
TREMOLO CONTROL		ECHO CONTROL	
Tremolo Switch Case		Echo Switch Case	
	brown 103750		brown 103750
	ebony 103760		ebony 103760
	ivory 103770		ivory 103770
Switch Case Cover		Switch Case Cover	
	brown 048702		brown 048702
	ebony 048710		ebony 048710
	ivory 048728		ivory 048728
Switch Knob		Switch Knob	
	brown 048066		brown 048066
	ebony 048074		ebony 048074
Switch Retainer (2)	048744	Switch Retainer (2)	048116
Switch Only	042911	Switch Only	010249
2-pin Plug	029165	5-pin Plug	021238



S2

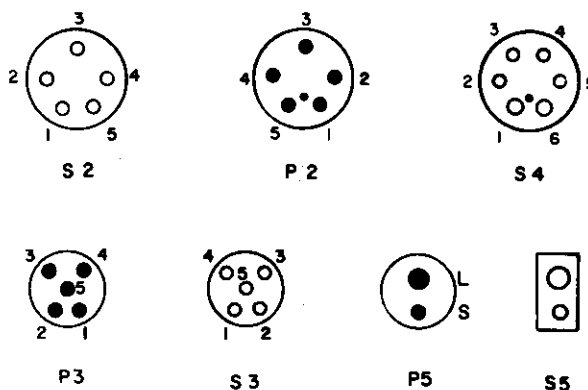


Figure 4. Console Adapter 027094 Wiring

Figure 5. Plugs and Sockets